

# KNIFE GATE VALVE

Uni-directional Knife Gate Valve - Wafer Type  
 PN10, DN50 to DN600 Handwheel Operation

## MODEL: KSD-OKG

### » Seat Design

High Performance: Soft Seat with Outer Seat Ring

### » Size Range

DN 50 to DN 600

### » Max. Pressure Difference

DN50 - DN250: 10 bar  
 DN300 - DN450: 7 bar  
 DN500 - DN600: 4 bar

### » Body Material

GGG40 / 1.4408

### » Flange Drillings

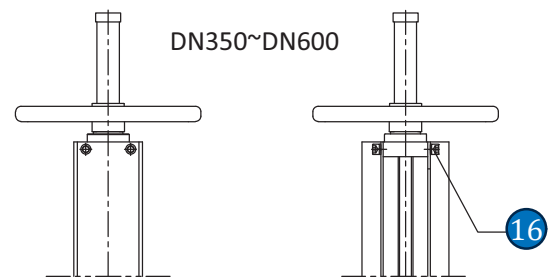
EN 1092 PN 10

### » Temperature Range

-20°C to 150°C with PTFE seat

### » Standards and Specifications

Design and test standard according to MSS-SP81  
 DIN EN 10204 3.1 Certificate  
 PED 2014/68/EU; ISO 9001

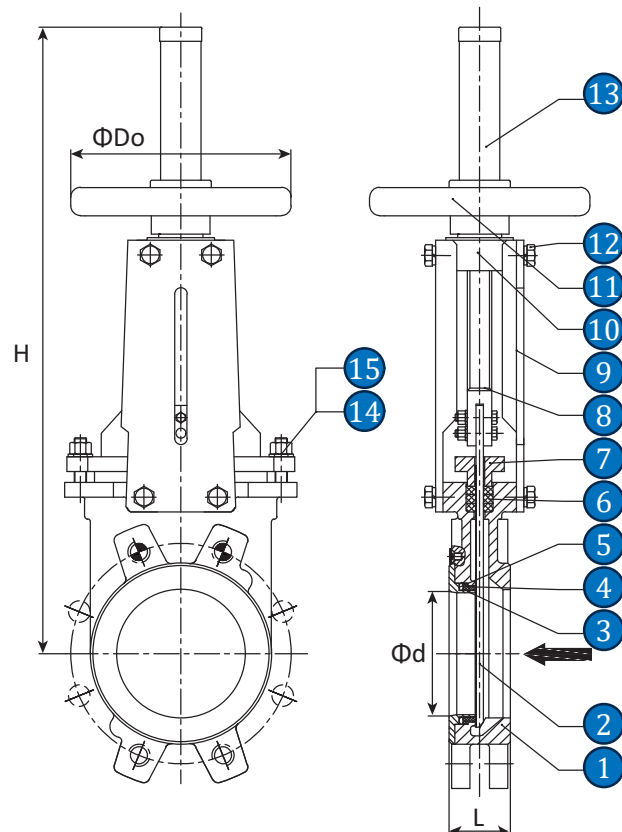


### Materials List:

NO	PART NAME	MATERIAL
1	BODY	GGG40 / 1.4408
2	GATE	SS304 / SS316
3	RETAINER RING	CS / SS304 / SS316
4	SEAT	PTFE
5	O-RING	FKM
6	PACKING	PTFE
7	GLAND	WCB / D.I. / SS316
8	STEM	ASTM A182 F6a / SS316
9	SUPPORT YOKE	ASTM A36
10	YOKE	ASTM A216 WCB/D.I.
11	HANDWHEEL	CS/DI
12	UPPER YOKE BOLT	A2-70 (A193 B8)
13	STEM PROTECTOR	ASTM A36
14	GLAND STUD	ASTM A193 B8
15	GLAND NUT	ASTM A194.8
16	UPPER YOKE BOLT	AISI 1035

### Dimensions (mm):

DN	$\Phi d$	L	$\Phi Do$	H
50	50	48	200	415
65	65	48	200	435
80	80	50	200	465
100	100	50	200	500
125	125	50	200	565
150	150	60	300	706
200	200	60	300	805
250	250	70	350	975
300	300	70	350	1120
350	336	76	500	1320
400	385	100	500	1445
450	438	106	500	1622
500	489	110	500	1790
600	570	110	500	2050

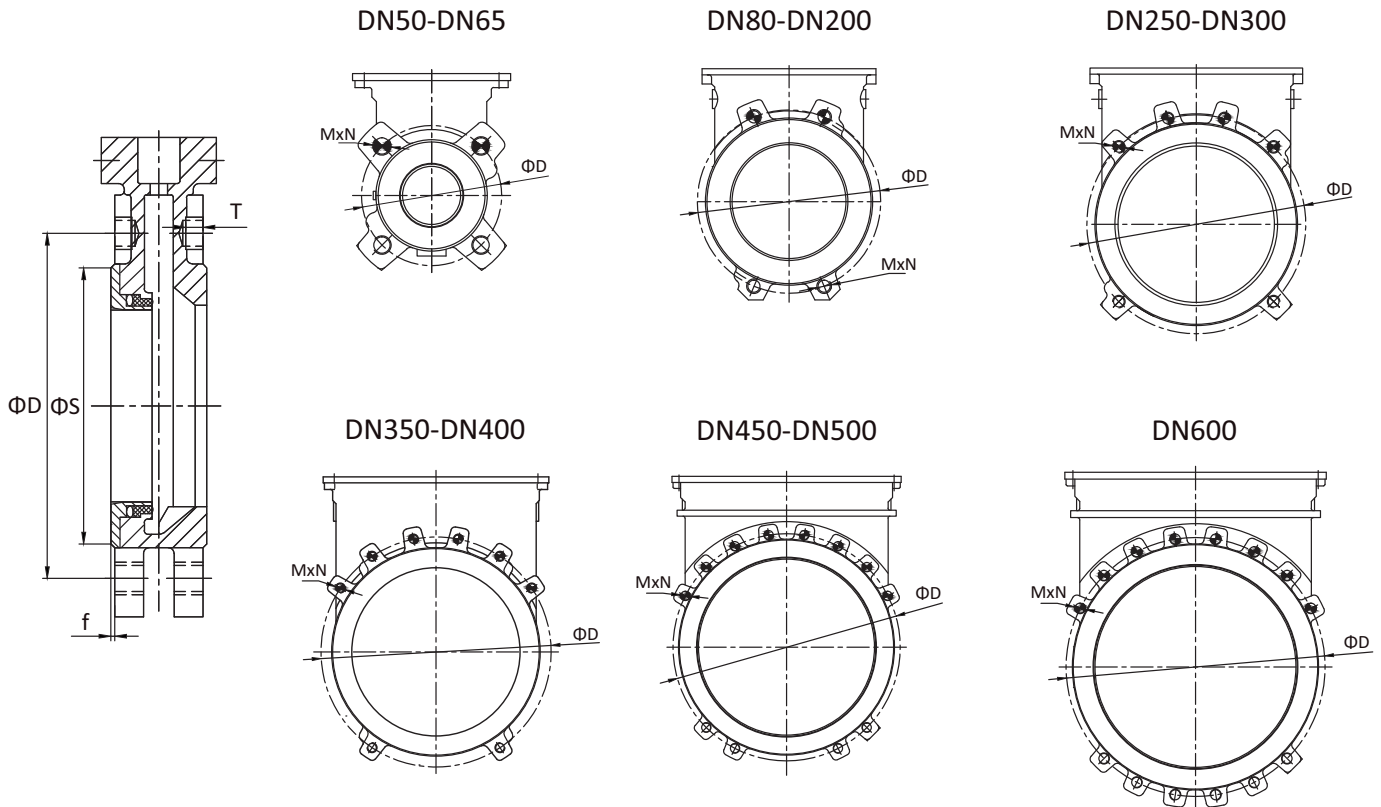


# KNIFE GATE VALVE

Uni-directional Knife Gate Valve - Wafer Type  
PN10, DN50 to DN600 Handwheel Operation

**MODEL: KSD-OKG**

## » Flange and Bolting Dimensions



### Dimensions (mm):

DN	$\Phi D$	$\Phi S$	f	M x N	T
50	125	92	2	M16 x 4	6
65	145	105	2	M16 x 4	6
80	160	127	2	M16 x 4	8
100	180	153	2	M16 x 4	8
125	210	182	2	M16 x 4	8
150	240	207	2	M20 x 4	10
200	295	260	2	M20 x 4	10
250	350	320	2	M20 x 6	15
300	400	369	2	M20 x 6	13
350	460	413	2	M20 x 8	24
400	515	470	2	M24 x 8	24
450	565	533	2	M24 x 12	26
500	620	573	2	M24 x 12	24
600	725	646	2	M27 x 14	22

# KNIFE GATE VALVE

Uni-directional Knife Gate Valve - Wafer Type  
 PN10, DN100 to DN600 Bevel Gear Operation

## MODEL: KSD-OKG

### » Seat Design

High Performance: Soft Seat with Outer Seat Ring

### » Size Range

DN 100 to DN 600

### » Max. Pressure Difference

DN100 - DN250: 10 bar

DN300 - DN450: 7 bar

DN500 - DN600: 4 bar

### » Body Material

GGG40 / 1.4408

### » Flange Drillings

EN 1092 PN 10

### » Temperature Range

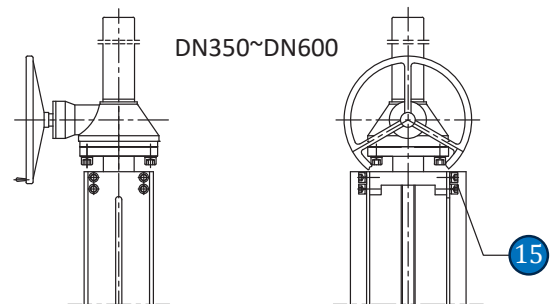
-20°C to 150°C with PTFE seat

### » Standards and Specifications

Design and test standard according to MSS-SP81

DIN EN 10204 3.1 Certificate

PED 2014/68/EU; ISO 9001

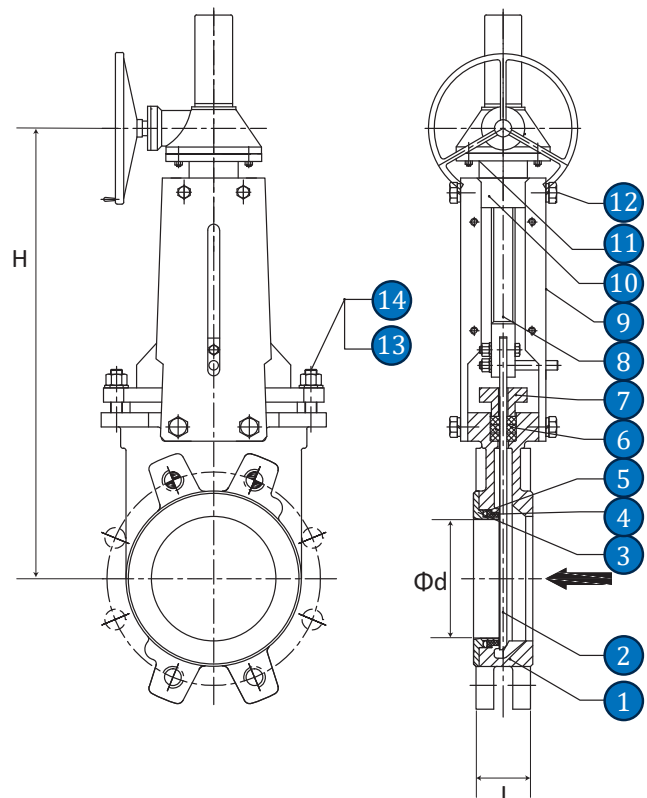


### Materials List:

NO	PART NAME	MATERIAL
1	BODY	GGG40 / 1.4408
2	GATE	SS304 / SS316
3	RETAINER RING	CS / SS304 / SS316
4	SEAT	PTFE
5	O-RING	FKM
6	PACKING	PTFE
7	GLAND	WCB / D.I. / SS316
8	STEM	ASTM A182 F6a / SS316
9	SUPPORT YOKE	ASTM A36
10	YOKE	ASTM A216 WCB
11	BEVEL GEAR	COMBINATION
12	UPPER YOKE BOLT	A2-70 (A193 B8)
13	GLAND STUD	ASTM A193 B8
14	GLAND NUT	ASTM A194 8
15	UPPER YOKE BOLT	AISI 1035

### Dimensions (mm):

DN	Φd	L	H
100	100	50	456
125	125	50	496
150	150	60	552
200	200	60	645
250	250	70	765
300	300	70	870
350	336	76	983
400	385	100	1096
450	438	106	1195
500	489	110	1310
600	570	110	1485

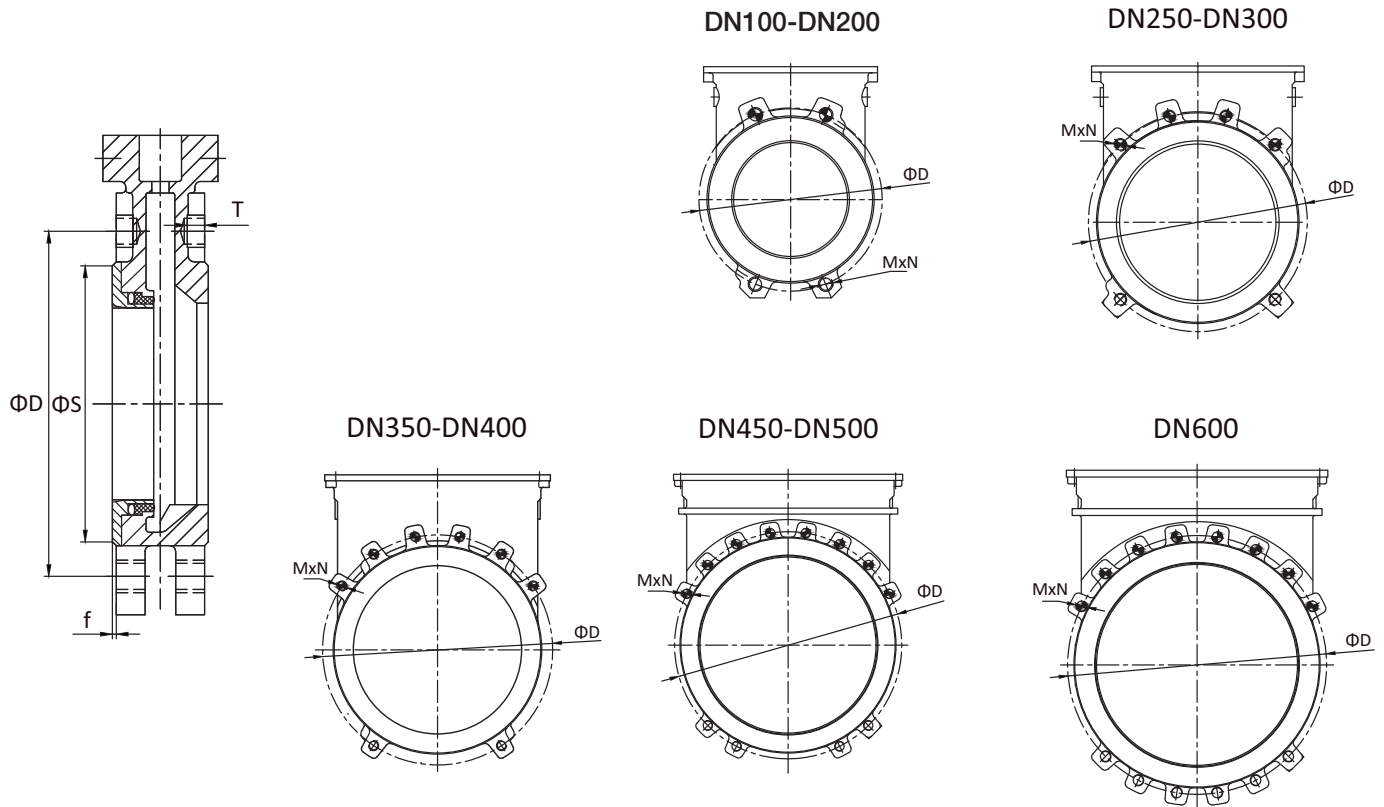


# KNIFE GATE VALVE

Uni-directional Knife Gate Valve - Wafer Type  
PN10, DN100 to DN600 Bevel Gear Operation

**MODEL: KSD-OKG**

## » Flange and Bolting Dimensions



### Dimensions (mm):

DN	$\Phi D$	$\Phi S$	f	M x N	T
100	180	153	2	M16 x 4	8
125	210	182	2	M16 x 4	8
150	240	207	2	M20 x 4	10
200	295	260	2	M20 x 4	10
250	350	320	2	M20 x 6	15
300	400	369	2	M20 x 6	13
350	460	413	2	M20 x 8	24
400	515	470	2	M24 x 8	24
450	565	533	2	M24 x 12	26
500	620	573	2	M24 x 12	24
600	725	646	2	M27 x 14	22

# KNIFE GATE VALVE

Uni-directional Knife Gate Valve - Wafer Type  
PN10, DN50 to DN600 Pneumatic Operation

## MODEL: KSD-OKG

### » Seat Design

High Performance: Soft Seat with Outer Seat Ring

### » Size Range

DN 50 to DN 600

### » Max. Pressure Difference

DN50 - DN250: 10 bar

DN300 - DN450: 7 bar

DN500 - DN600: 4 bar

### » Body Material

GGG40 / 1.4408

### » Flange Drillings

EN 1092 PN 10

### » Temperature Range

-20°C to 150°C with PTFE seat

### » Standards and Specifications

Design and test standard according to MSS-SP81

DIN EN 10204 3.1 Certificate

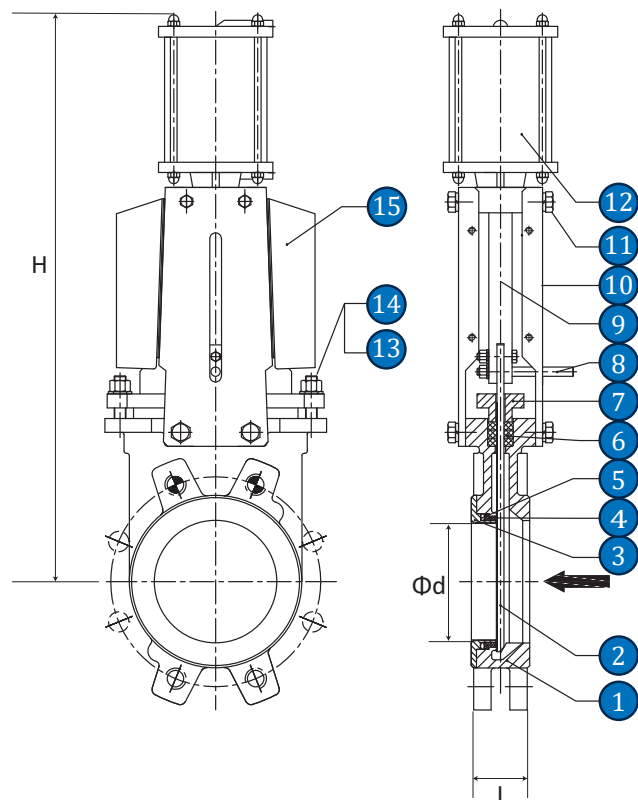
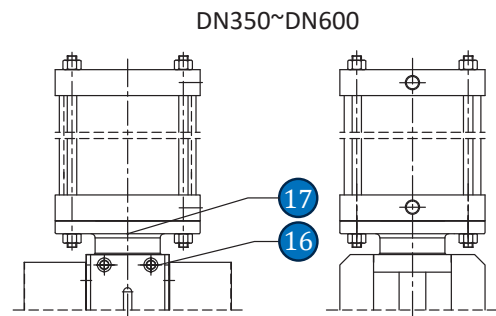
PED 2014/68/EU; ISO 9001

### Materials List:

NO	PART NAME	MATERIAL
1	BODY	GGG40 / 1.4408
2	GATE	SS304 / SS316
3	RETAINER RING	CS / SS304 / SS316
4	SEAT	PTFE
5	O-RING	FKM
6	PACKING	PTFE
7	GLAND	WCB / D.I. / SS316
8	POSITION INDICATOR	ASTM A276 420
9	STEM	ANSI 1045+Cr / SS316
10	SUPPORT YOKE	ASTM A36
11	UPPER YOKE BOLT	A2-70 (A193 B8)
12	CYLINDER	COMBINATION
13	GLAND STUD	ASTM A193 B8
14	GLAND NUT	ASTM A194 8
15	SAFETY COVER	SS304
16	UPPER YOKE BOLT	AISI 1035
17	YOKE	ASTM A216 WCB

### Dimensions (mm):

DN	Φd	L	ΦCylinder	H
50	50	40	80	415
65	65	40	80	455
80	80	50	80	496
100	100	50	100	555
125	125	50	125	655
150	150	60	125	732
200	200	60	160	885
250	250	70	200	1056
300	300	70	200	1215
350	336	76	250	1458
400	385	100	250	1620
450	438	106	250	1765
500	489	110	250	1925
600	570	110	-	2265

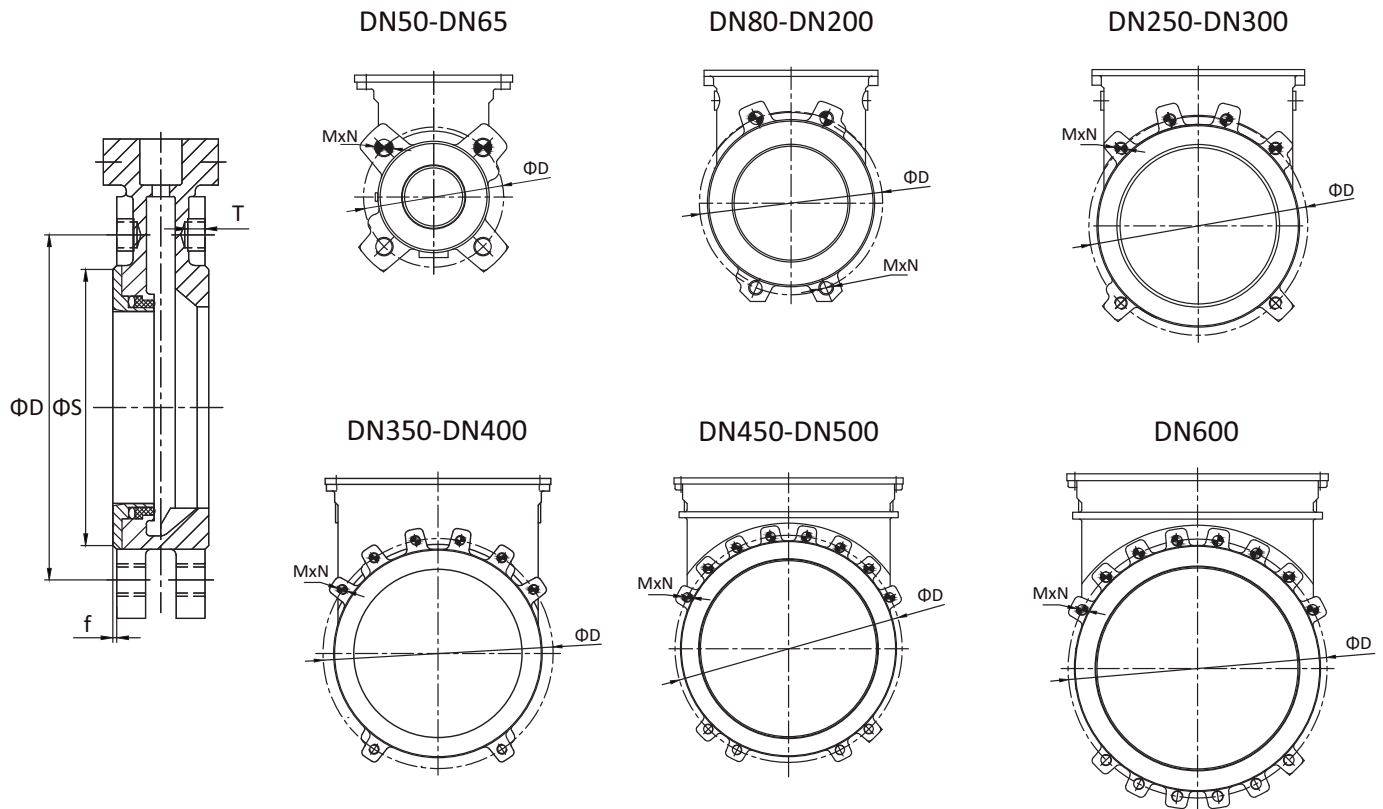


# KNIFE GATE VALVE

Uni-directional Knife Gate Valve - Wafer Type  
PN10, DN50 to DN600 Pneumatic Operation

**MODEL: KSD-OKG**

## » Flange and Bolting Dimensions



### Dimensions (mm):

DN	$\Phi D$	$\Phi S$	$f$	$M \times N$	$T$
50	125	92	2	M16 x 4	6
65	145	105	2	M16 x 4	6
80	160	127	2	M16 x 4	8
100	180	153	2	M16 x 4	8
125	210	182	2	M16 x 4	8
150	240	207	2	M20 x 4	10
200	295	260	2	M20 x 4	10
250	350	320	2	M20 x 6	15
300	400	369	2	M20 x 6	13
350	460	413	2	M20 x 8	24
400	515	470	2	M24 x 8	24
450	565	533	2	M24 x 12	26
500	620	573	2	M24 x 12	24
600	725	646	2	M27 x 14	22

# KNIFE GATE VALVE

Uni-directional Knife Gate Valve - Lug Type  
 CLASS 150, 2" to 24" Handwheel Operation

**MODEL: KSD-OKG**

» **Seat Design**

High Performance: Soft Seat with Outer Seat Ring

» **Size Range**

2" to 24"

» **Max. Pressure Difference**

2" - 10": 150 psi  
 12" - 18": 105 psi  
 20" - 24": 60 psi

» **Body Material**

DI /CF8M

» **Flange Drillings**

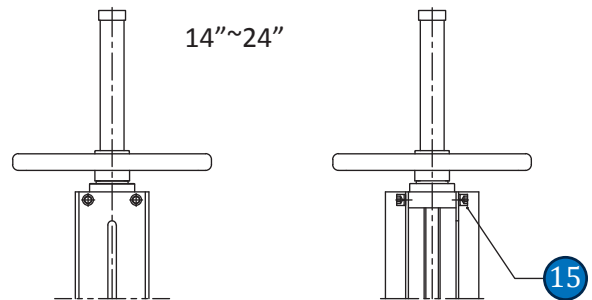
ASME B16.5 CLASS 150

» **Temperature Range**

-4°F to 300°F with PTFE seat

» **Standards and Specifications**

Design and test standard according to MSS-SP81  
 DIN EN 10204 3.1 Certificate  
 PED 2014/68/EU; ISO 9001

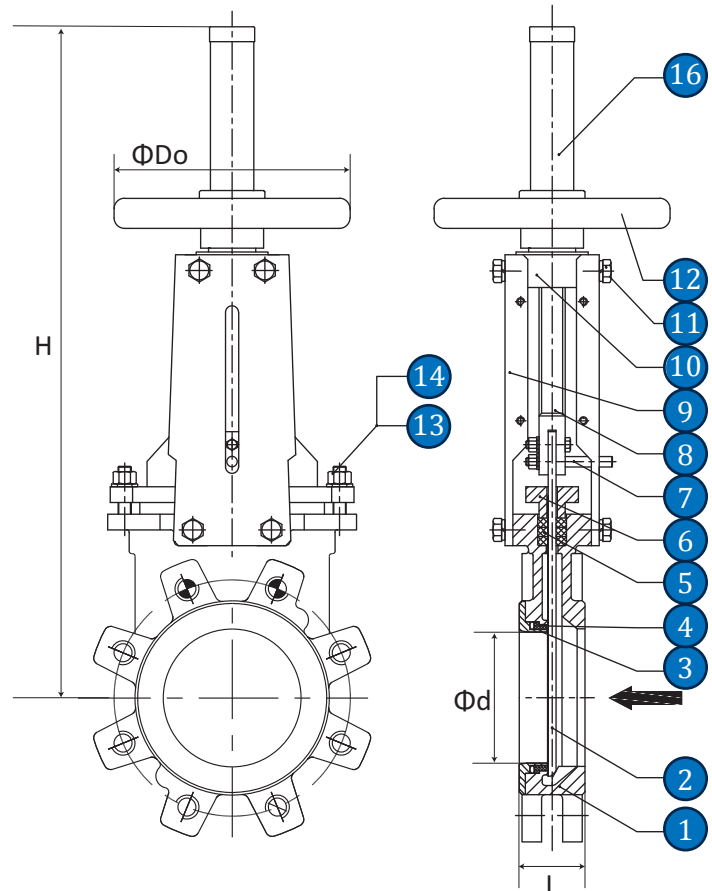


**Materials List:**

NO	PART NAME	MATERIAL
1	BODY	DI/CF8M
2	GATE	SS304 / SS316
3	RETAINER RING	CS / SS304 / SS316
4	SEAT	PTFE
5	O-RING	FKM
6	PACKING	PTFE
7	GLAND	WCB / D.I. / SS316
8	STEM	ASTM A182 F6a / SS316
9	SUPPORT YOKE	ASTM A36
10	YOKE	ASTM A216 WCB/D.I.
11	HANDWHEEL	CS/DI
12	UPPER YOKE BOLT	A2-70 (A193 B8)
13	STEM PROTECTOR	ASTM A36
14	GLAND STUD	ASTM A193 B8
15	GLAND NUT	ASTM A194.8
16	UPPER YOKE BOLT	AISI 1035

**Dimensions (mm):**

NPS	Φd	L	ΦDo	H
2	50	48	200	415
2-1/2	65	48	200	435
3	80	51	200	465
4	100	51	200	500
5	125	57	200	565
6	150	57	300	706
8	200	70	300	805
10	250	70	350	975
12	300	76	350	1120
14	336	76	500	1320
16	385	89	500	1445
18	438	89	500	1622
20	489	114	500	1790
24	570	114	500	2050

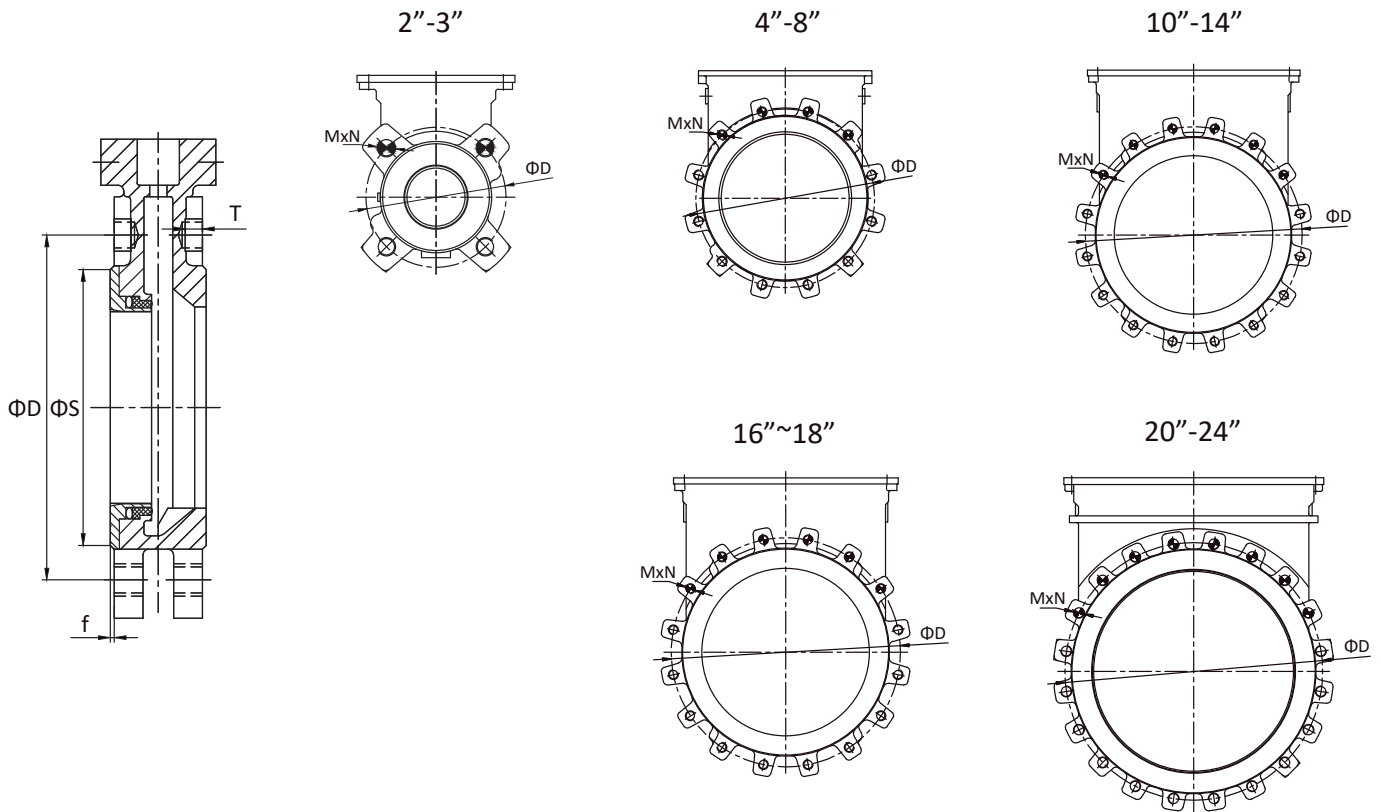


# KNIFE GATE VALVE

Uni-directional Knife Gate Valve - Lug Type  
CLASS 150, 2" to 24" Handwheel Operation

**MODEL: KSD-OKG**

## » Flange and Bolting Dimensions



### Dimensions (mm):

NPS	$\Phi D$	$\Phi S$	f	M x N	T
2	120.7	92.1	2	5/8"-11 x 4	8
2-1/2	139.7	104.8	2	5/8"-11 x 4	8
3	152.4	127	2	5/8"-11 x 4	8
4	190.5	157	2	5/8"-11 x 8	9
5	215.9	186	2	3/4"-10 x 8	11
6	241.3	215.9	2	3/4"-10 x 8	9
8	298.5	270	2	3/4"-10 x 8	15
10	362	323.8	2	7/8"-9 x 12	14
12	431.8	381	2	7/8"-9 x 12	15
14	476.3	412.8	2	1"-8 x 12	14
16	539.8	469.9	2	1"-8 x 16	19
18	578	533.4	2	1-1/8" -7 x 16	18
20	635	584	2	1-1/8" -7 x 20	26
24	749.3	692	2	1-1/4" -7 x 20	26



# KNIFE GATE VALVE

Uni-directional Knife Gate Valve - Lug Type  
CLASS 150, 2" to 24" Bevel Gear Operation

**MODEL: KSD-OKG**

» **Seat Design**

High Performance: Soft Seat with Outer Seat Ring

» **Size Range**

2" to 24"

» **Max. Pressure Difference**

2" - 10": 150 psi  
12" - 18": 105 psi  
20" - 24": 60 psi

» **Body Material**

DI /CF8M

» **Flange Drillings**

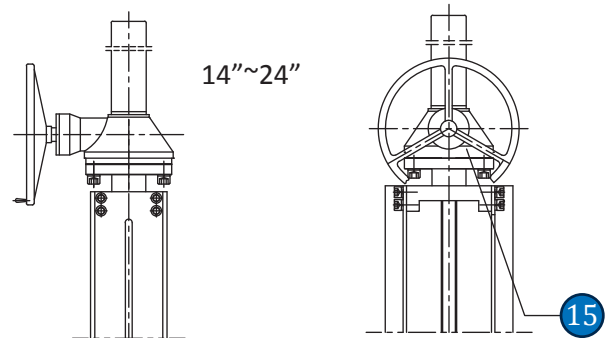
ASME B16.5 CLASS 150

» **Temperature Range**

-4°F to 300°F with PTFE seat

» **Standards and Specifications**

Design and test standard according to MSS-SP81  
DIN EN 10204 3.1 Certificate  
PED 2014/68/EU; ISO 9001

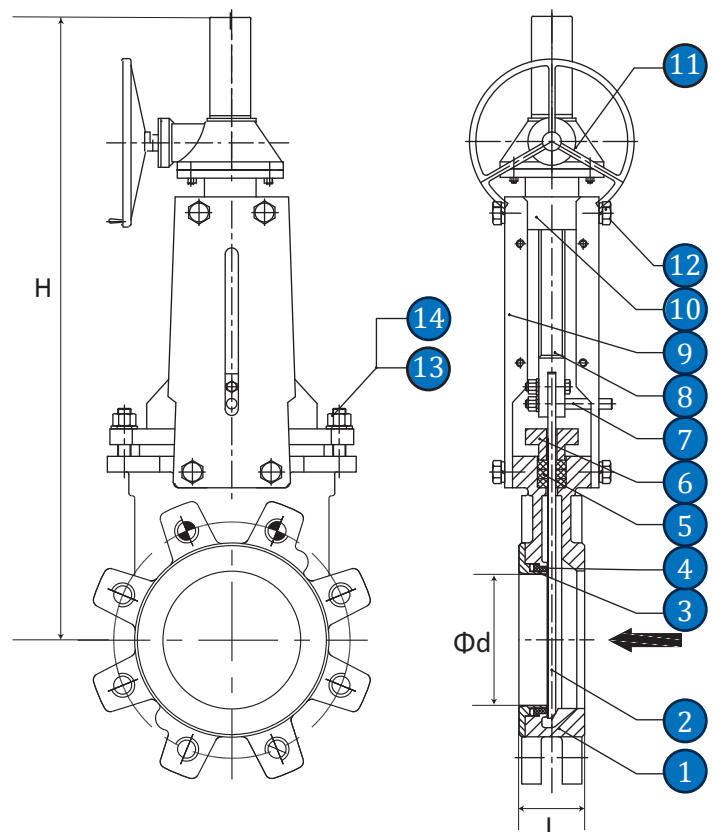


**Materials List:**

NO	PART NAME	MATERIAL
1	BODY	DI/CF8M
2	GATE	SS304 / SS316
3	RETAINER RING	CS / SS304 / SS316
4	SEAT	PTFE
5	O-RING	FKM
6	PACKING	PTFE
7	GLAND	WCB / D.I. / SS316
8	STEM	ASTM A182 F6a / SS316
9	SUPPORT YOKE	ASTM A36
10	YOKE	ASTM A216 WCB
11	BEVEL GEAR	COMBINATION
12	UPPER YOKE BOLT	A2-70 (A193 B8)
13	GLAND STUD	ASTM A193 B8
14	GLAND NUT	ASTM A194 8
15	UPPER YOKE BOLT	AISI 1035

**Dimensions (mm):**

NPS	Φd	L	H
2	50	48	-
2-1/2	65	48	-
3	80	51	-
4	100	51	456
5	125	57	496
6	150	57	552
8	200	70	645
10	250	70	765
12	300	76	870
14	336	76	983
16	385	89	1096
18	438	89	1195
20	489	114	1310
24	570	114	1485

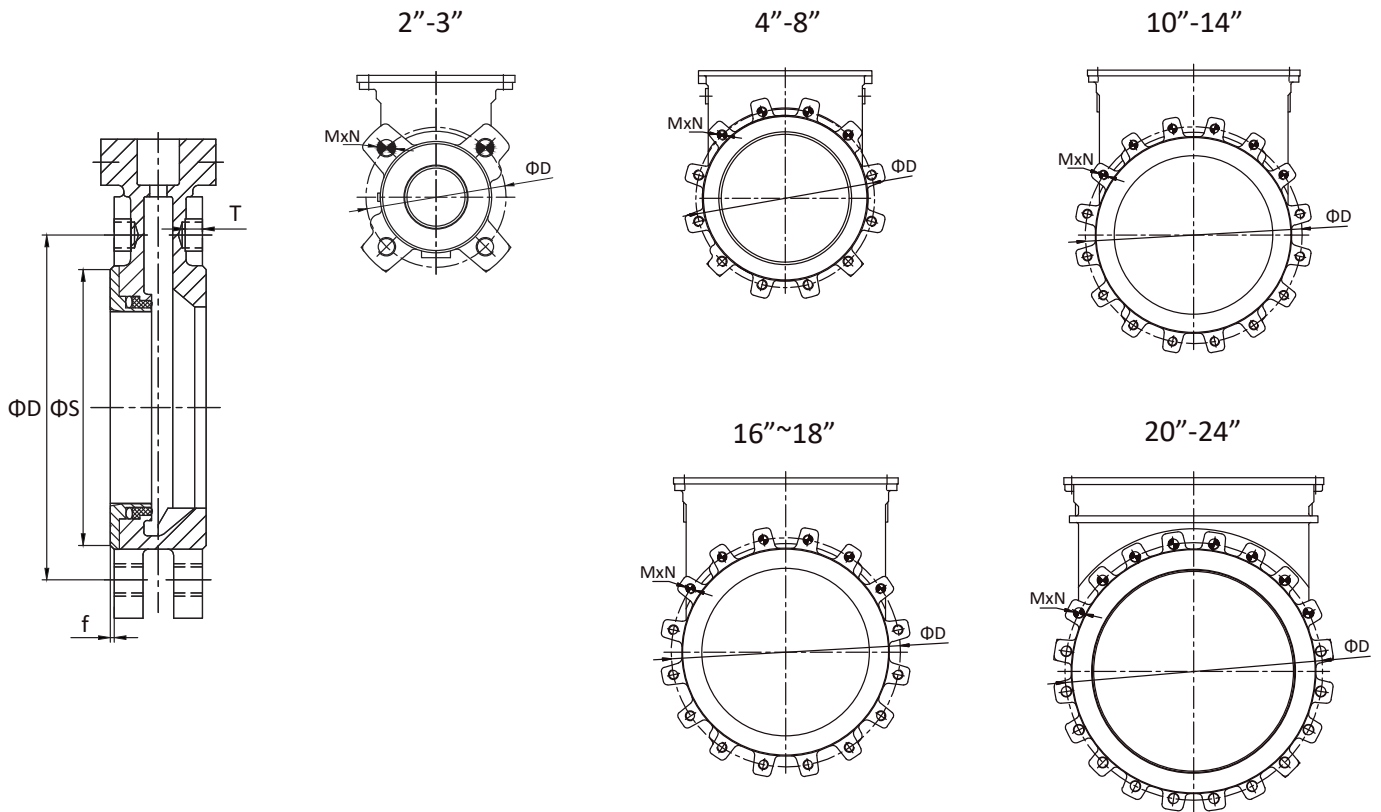


# KNIFE GATE VALVE

Uni-directional Knife Gate Valve - Lug Type  
CLASS 150, 2" to 24" Handwheel Operation

**MODEL: KSD-OKG**

## » Flange and Bolting Dimensions



### Dimensions (mm):

NPS	$\Phi D$	$\Phi S$	f	M x N	T
2	120.7	92.1	2	5/8"-11 x 4	8
2-1/2	139.7	104.8	2	5/8"-11 x 4	8
3	152.4	127	2	5/8"-11 x 4	8
4	190.5	157	2	5/8"-11 x 8	9
5	215.9	186	2	3/4"-10 x 8	11
6	241.3	215.9	2	3/4"-10 x 8	9
8	298.5	270	2	3/4"-10 x 8	15
10	362	323.8	2	7/8"-9 x 12	14
12	431.8	381	2	7/8"-9 x 12	15
14	476.3	412.8	2	1"-8 x 12	14
16	539.8	469.9	2	1"-8 x 16	19
18	578	533.4	2	1-1/8" -7 x 16	18
20	635	584	2	1-1/8" -7 x 20	26
24	749.3	692	2	1-1/4" -7 x 20	26

# KNIFE GATE VALVE

Uni-directional Knife Gate Valve - Lug Type  
 CLASS 150, 2" to 24" Pneumatic Operation

**MODEL: KSD-OKG**

» **Seat Design**

High Performance: Soft Seat with Outer Seat Ring

» **Size Range**

2" to 24"

» **Max. Pressure Difference**

2" - 10": 150 psi  
 12" - 18": 105 psi  
 20" - 24": 60 psi

» **Body Material**

DI /CF8M

» **Flange Drillings**

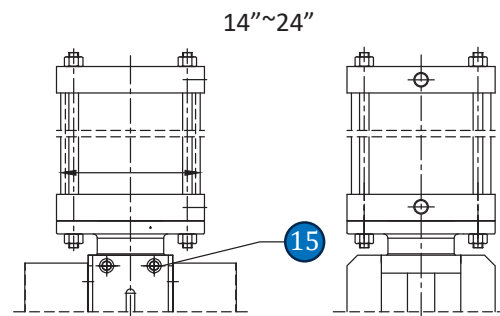
ASME B16.5 CLASS 150

» **Temperature Range**

-4°F to 300°F with PTFE seat

» **Standards and Specifications**

Design and test standard according to MSS-SP81  
 DIN EN 10204 3.1 Certificate  
 PED 2014/68/EU; ISO 9001

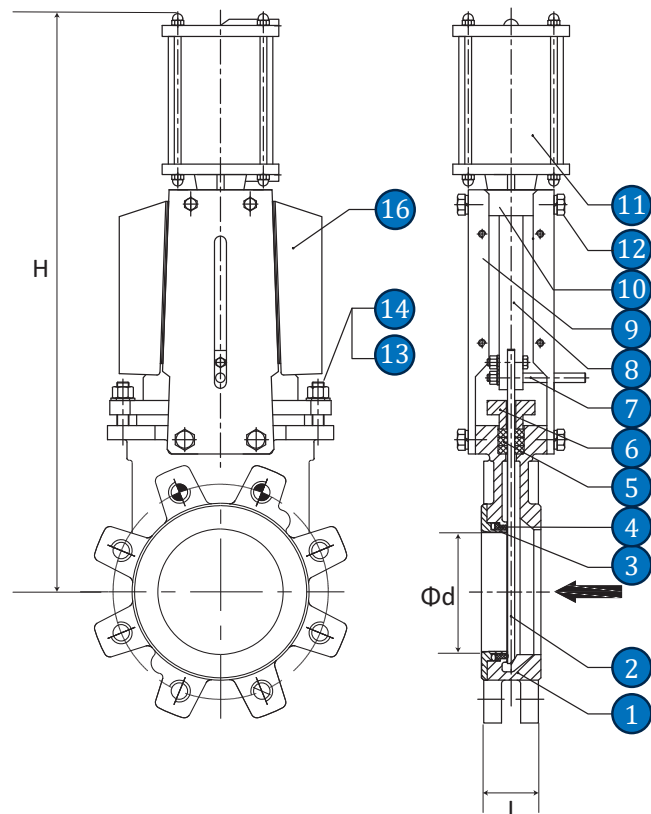


**Materials List:**

NO	PART NAME	MATERIAL
1	BODY	DI/CF8M
2	GATE	SS304 / SS316
3	RETAINER RING	CS / SS304 / SS316
4	SEAT	PTFE
5	O-RING	FKM
6	PACKING	PTFE
7	GLAND	WCB / D.I. / SS316
8	POSITION INDICATOR	ASTM A276 420
9	STEM	ANSI 1045+Cr / SS316
10	SUPPORT YOKE	ASTM A36
11	UPPER YOKE BOLT	A2-70 (A193 B8)
12	CYLINDER	COMBINATION
13	GLAND STUD	ASTM A193 B8
14	GLAND NUT	ASTM A194 8
15	SAFETY COVER	SS304
16	UPPER YOKE BOLT	AISI 1035
17	YOKE	ASTM A216 WCB

**Dimensions (mm):**

NPS	Φd	L	ΦDo	H
2	50	48	80	415
2-1/2	65	48	80	455
3	80	51	80	496
4	100	51	100	555
5	125	57	125	655
6	150	57	125	732
8	200	70	160	885
10	250	70	200	1056
12	300	76	200	1215
14	336	76	250	1458
16	385	89	250	1620
18	438	89	250	1765
20	489	114	250	1925
24	570	114	-	2265

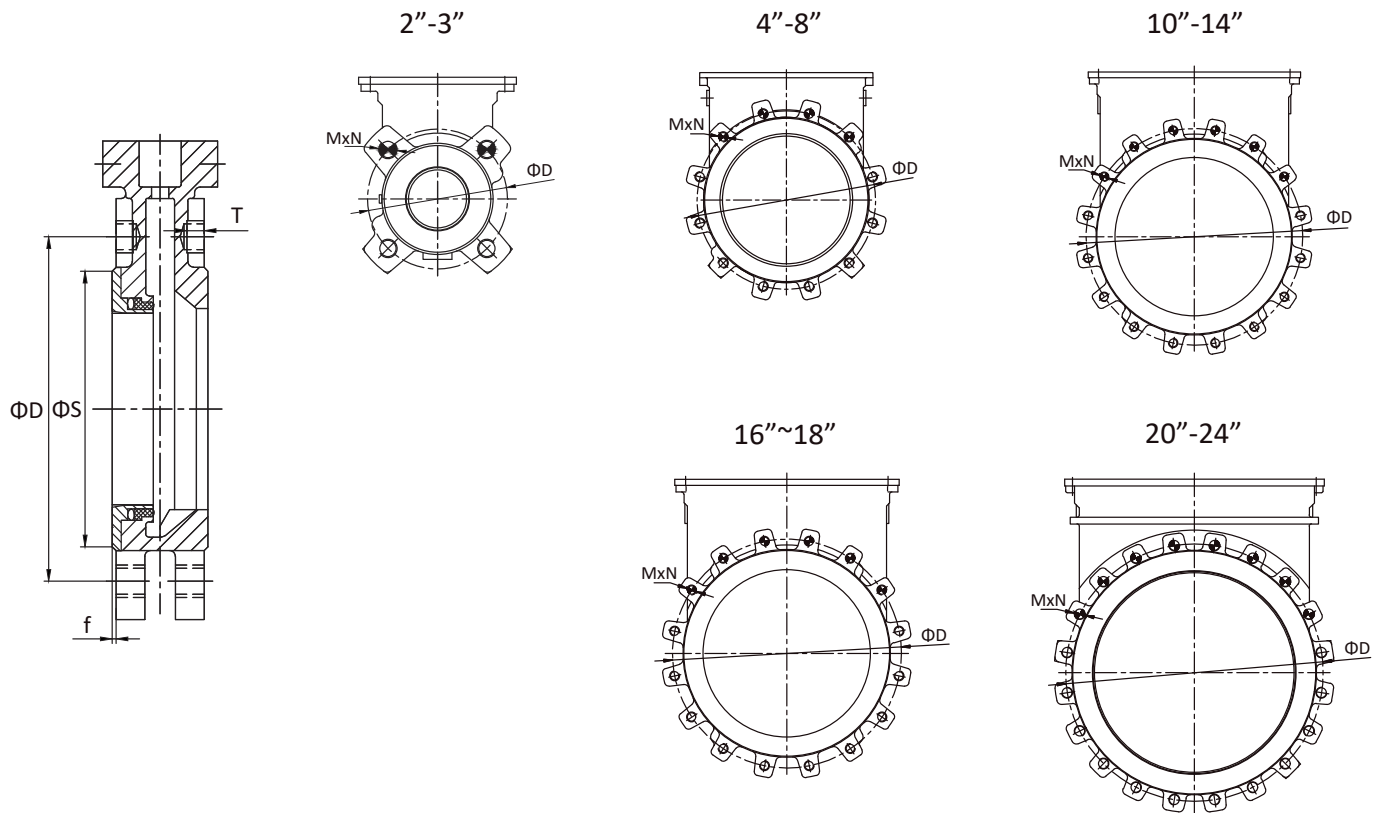


# KNIFE GATE VALVE

Uni-directional Knife Gate Valve - Lug Type  
CLASS 150, 2" to 24" Pneumatic Operation

**MODEL: KSD-OKG**

## » Flange and Bolting Dimensions



### Dimensions (mm):

NPS	$\Phi D$	$\Phi S$	f	M x N	T
2	120.7	92.1	2	5/8"-11 x 4	8
2-1/2	139.7	104.8	2	5/8"-11 x 4	8
3	152.4	127	2	5/8"-11 x 4	8
4	190.5	157	2	5/8"-11 x 8	9
5	215.9	186	2	3/4"-10 x 8	11
6	241.3	215.9	2	3/4"-10 x 8	9
8	298.5	270	2	3/4"-10 x 8	15
10	362	323.8	2	7/8"-9 x 12	14
12	431.8	381	2	7/8"-9 x 12	15
14	476.3	412.8	2	1"-8 x 12	14
16	539.8	469.9	2	1"-8 x 16	19
18	578	533.4	2	1-1/8" -7 x 16	18
20	635	584	2	1-1/8" -7 x 20	26
24	749.3	692	2	1-1/4" -7 x 20	26