

GATE VALVE

Cast Steel OS&Y to DIN
 PN16, DN50-DN200

KSD-GTF PN16-F4

» Features

Cast steel body construction providing liberal strength to meet most conditions
 Integral yoke & bonnet; Outside screw & yoke, bolted bonnet
 Single flexible wedge disc compensates for deformation of body due to pipe stresses
 Seal welded seat ring eliminates leak path behind rings and for long trouble-free service
 Available in flanged end connection; butt weld end also available

» Body Material

DIN 17245 GS-C25

» Standards

Basic design to DIN 3352
 Face-to-Face acc. to EN 558 Series 14(DIN 3202-F4)
 Flange Dimensions acc. to EN 1092-1
 Inspection & test according to EN 12266-1

» Temperature Range

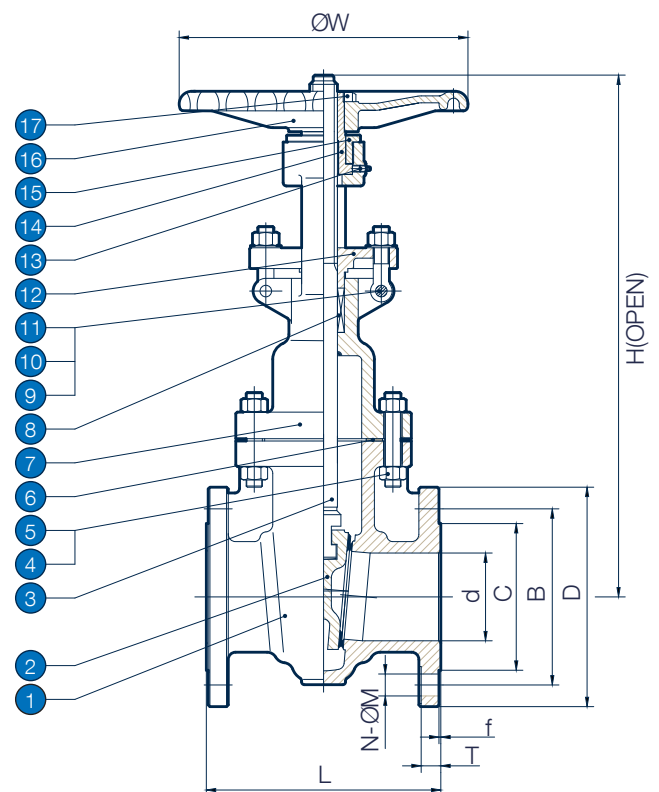
-20°C to 425°C (-4°F to 800°F)

» Note

For non-horizontal installation, please ensure to consult with us separately, as special request must be generated to ensure proper function.

Materials List:

NO	PART NAME	MATERIAL
1	BODY	DIN 17245 GS-C25 + 13Cr
2	WEDGE	DIN 17245 GS-C25 + 13Cr
3	STEM	ASTM A182 F6a
4	BONNET BOLT	ASTM A193 B7
5	BONNET NUT	ASTM A194 2H
6	GASKET	SS304+FLEXIBLE GRAPHITE
7	BONNET	DIN 17245 GS-C25
8	STEM PACKING	FLEXIBLE GRAPHITE
9	GLAND EYEBOLT	ASTM A193 B7
10	GLAND NUT	ASTM A194 2H
11	PIN	AISI 1025
12	GLAND FLANGE	DIN 17245 GS-C25
13	NIPPLE	COPPER ALLOY
14	STEM NUT	ASTM A439 D2
15	RETAINING NUT	AISI 1025
16	HANDWHEEL	DUCTILE IRON
17	LOCK NUT	AISI 1025



Dimensions (mm):

SIZE		d	D	B	C	W	L	H	T	f	N	M
DN	NPS											
50	2	50	165	125	102	200	150	410	18	3	4	18
65	2½	65	185	145	122	220	170	462	18	3	4	18
80	3	80	200	160	138	250	180	518	20	3	8	18
100	4	100	220	180	158	280	190	605	20	3	8	18
125	5	125	250	210	188	300	200	678	22	3	8	18
150	6	150	285	240	212	300	210	798	22	3	8	22
200	8	200	340	295	268	350	230	985	24	3	12	22

GATE VALVE

Cast Steel OS&Y to DIN
PN16, DN250-DN600

KSD-GTF PN16-F4

» Features

Cast steel body construction providing liberal strength to meet most conditions
Integral yoke & bonnet; Outside screw & yoke, bolted bonnet
Single flexible wedge disc compensates for deformation of body due to pipe stresses
Seal welded seat ring eliminates leak path behind rings and for long trouble-free service
Available in flanged end connection; butt weld end also available

» Body Material

DIN 17245 GS-C25

» Standards

Basic design to DIN 3352
Face-to-Face acc. to EN 558 Series 14(DIN 3202-F4)
Flange Dimensions acc. to EN 1092-1
Inspection & test according to EN 12266-1

» Temperature Range

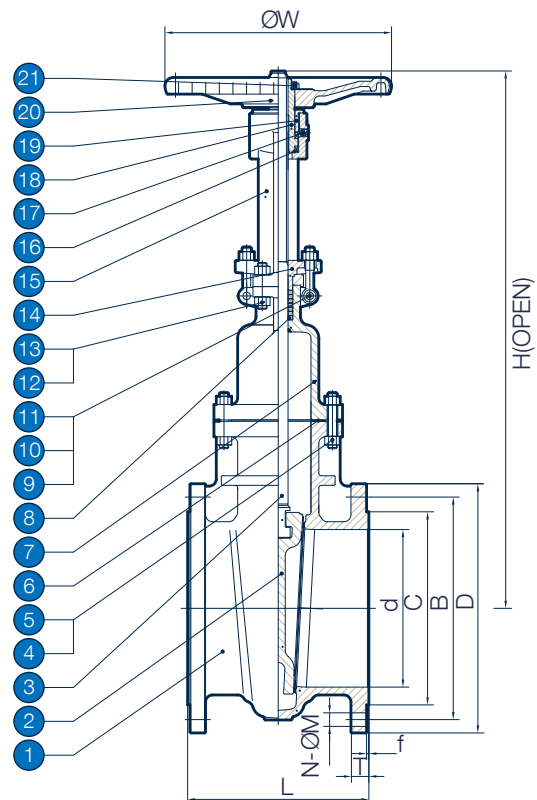
-20°C to 425°C (-4°F to 800°F)

» Note

For non-horizontal installation, please ensure to consult with us separately, as special request must be generated to ensure proper function.

Materials List:

NO	PART NAME	MATERIAL
1	BODY	DIN 17245 GS-C25 + 13Cr
2	WEDGE	DIN 17245 GS-C25 + 13Cr
3	STEM	ASTM A182 F6a
4	BONNET BOLT	ASTM A193 B7
5	BONNET NUT	ASTM A194 2H
6	GASKET	SS304+FLEXIBLE GRAPHITE
7	BONNET	DIN 17245 GS-C25
8	STEM PACKING	FLEXIBLE GRAPHITE
9	GLAND EYEBOLT	ASTM A193 B7
10	GLAND NUT	ASTM A194 2H
11	PIN	AISI 1025
12	YOKE BOLT	ASTM A193 B7
13	YOKE NUT	ASTM A194 2H
14	GLAND FLANGE	DIN 17245 GS-C25
15	YOKE	DIN 17245 GS-C25
16	BEARINGS	ALLOY STEEL
17	NIPPLE	COPPER ALLOY
18	STEM NUT	ASTM A439 D2
19	RETAINING NUT	AISI 1025
20	HANDWHEEL	DUCTILE IRON
21	LOCK NUT	AISI 1025



Dimensions (mm):

SIZE		d	D	B	C	W	L	H	T	f	N	M
DN	NPS											
250	10	250	405	355	320	400	250	1114	26	3	12	26
300	12	300	460	410	378	450	270	1340	28	4	12	26
350	14	350	520	470	438	500	290	1550	30	4	16	26
400	16	400	580	525	490	550	310	1700	32	4	16	30
500	20	500	715	650	610	700	350	2110	36	4	20	33
600	24	600	840	770	725	700	390	2540	40	5	20	36

GATE VALVE

Cast Steel OS&Y to DIN
PN16, DN700-DN1000

KSD-GTF PN16-F4

» Features

Cast steel body construction providing liberal strength to meet most conditions
Integral yoke & bonnet; Outside screw & yoke, bolted bonnet
Single flexible wedge disc compensates for deformation of body due to pipe stresses
Seal welded seat ring eliminates leak path behind rings and for long trouble-free service
Available in flanged end connection; butt weld end also available

» Body Material

DIN 17245 GS-C25

» Standards

Basic design to DIN 3352
Face-to-Face acc. to EN 558 Series 14(DIN 3202-F4)
Flange Dimensions acc. to EN 1092-1
Inspection & test according to EN 12266-1

» Temperature Range

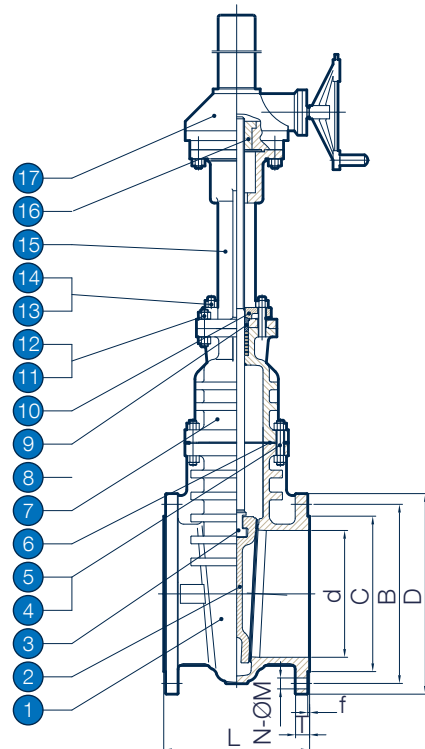
-20°C to 425°C (-4°F to 800°F)

» Note

For non-horizontal installation, please ensure to consult with us separately, as special request must be generated to ensure proper function.

Materials List:

NO	PART NAME	MATERIAL
1	BODY	DIN 17245 GS-C25 + 13Cr
2	WEDGE	DIN 17245 GS-C25 + 13Cr
3	STEM	ASTM A182 F6a
4	BONNET BOLT	ASTM A193 B7
5	BONNET NUT	ASTM A194 2H
6	GASKET	SS304+FLEXIBLE GRAPHITE
7	BONNET	DIN 17245 GS-C25
8	STEM PACKING	FLEXIBLE GRAPHITE
9	GLAND	ASTM A182 F6a
10	GLAND FLANGE	DIN 17245 GS-C25
11	BOLT	ASTM A193 B7
12	NUT	ASTM A194 2H
13	YOKE BOLT	ASTM A193 B7
14	YOKE NUT	ASTM A194 2H
15	YOKE	DIN 17245 GS-C25
16	STEM NUT	ASTM A439 D2
17	GEAR BOX	COMPONENTS



Dimensions (mm):

SIZE		d	D	B	C	L	T	f	N	M
DN	NPS									
700	28	700	910	840	795	430	42	5	24	36
800	32	800	1025	950	900	470	42	5	24	39
900	36	900	1125	1050	1000	510	44	5	28	39
1000	40	1000	1255	1170	1115	550	46	5	28	42

GATE VALVE

Cast Steel OS&Y to DIN
PN16, DN50-DN150

KSD-GTF PN16-F5

» Features

Cast steel body construction providing liberal strength to meet most conditions
Integral yoke & bonnet; Outside screw & yoke, bolted bonnet
Single flexible wedge disc compensates for deformation of body due to pipe stresses
Seal welded seat ring eliminates leak path behind rings and for long trouble-free service
Available in flanged end connection; butt weld end also available

» Body Material

DIN 17245 GS-C25

» Standards

Basic design to DIN 3352
Face-to-Face acc. to EN 558 Series 15(DIN 3202-F5)
Flange Dimensions acc. to EN 1092-1
Inspection & test according to EN 12266-1

» Temperature Range

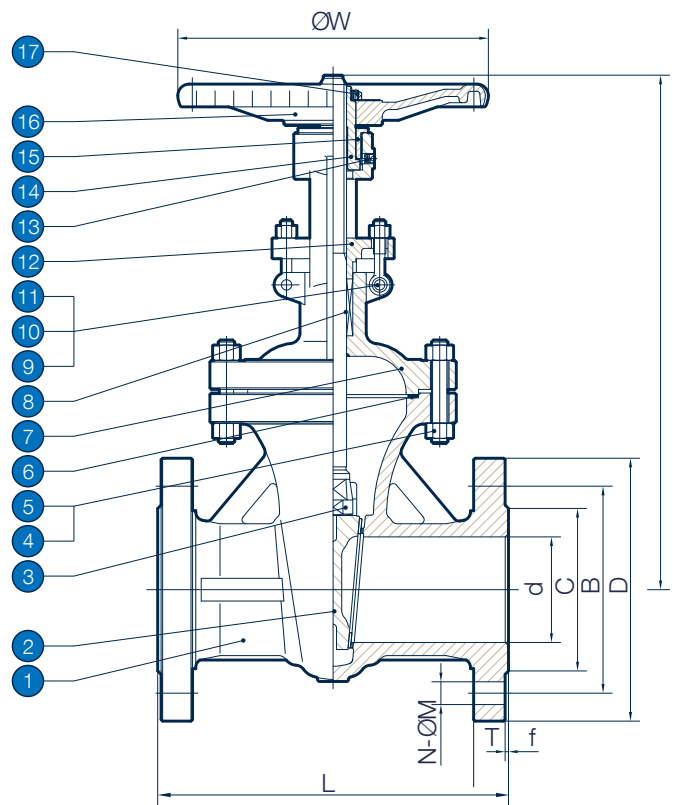
-20°C to 425°C (-4°F to 800°F)

» Note

For non-horizontal installation, please ensure to consult with us separately, as special request must be generated to ensure proper function.

Materials List:

NO	PART NAME	MATERIAL
1	BODY	DIN 17245 GS-C25 + 13Cr
2	WEDGE	DIN 17245 GS-C25 + 13Cr
3	STEM	ASTM A182 F6a
4	BONNET BOLT	ASTM A193 B7
5	BONNET NUT	ASTM A194 2H
6	GASKET	SS304+FLEXIBLE GRAPHITE
7	BONNET	DIN 17245 GS-C25
8	STEM PACKING	FLEXIBLE GRAPHITE
9	GLAND EYEBOLT	ASTM A193 B7
10	GLAND NUT	ASTM A194 2H
11	PIN	AISI 1025
12	GLAND FLANGE	DIN 17245 GS-C25
13	NIPPLE	COPPER ALLOY
14	STEM NUT	ASTM A439 D2
15	RETAINING NUT	AISI 1025
16	HANDWHEEL	DUCTILE IRON
17	LOCK NUT	AISI 1025



Dimensions (mm):

SIZE		d	D	B	C	W	L	H	T	f	N	M	Weight (KG)
DN	NPS												
50	2	50	165	125	102	200	250	410	18	3	4	18	21
65	2½	65	185	145	122	220	270	462	18	3	4	18	28
80	3	80	200	160	138	250	280	518	20	3	8	18	32
100	4	100	220	180	158	280	300	605	20	3	8	18	43
125	5	125	250	210	188	300	325	678	22	3	8	18	62
150	6	150	285	240	212	300	350	798	22	3	8	22	85

GATE VALVE

Cast Steel OS&Y to DIN
 PN16, DN200-DN600

KSD-GTF PN16-F5

» Features

Cast steel body construction providing liberal strength to meet most conditions
 Integral yoke & bonnet; Outside screw & yoke, bolted bonnet
 Single flexible wedge disc compensates for deformation of body due to pipe stresses
 Seal welded seat ring eliminates leak path behind rings and for long trouble-free service
 Available in flanged end connection; butt weld end also available

» Body Material

DIN 17245 GS-C25

» Standards

Basic design to DIN 3352
 Face-to-Face acc. to EN 558 Series 15(DIN 3202-F5)
 Flange Dimensions acc. to EN 1092-1
 Inspection & test according to EN 12266-1

» Temperature Range

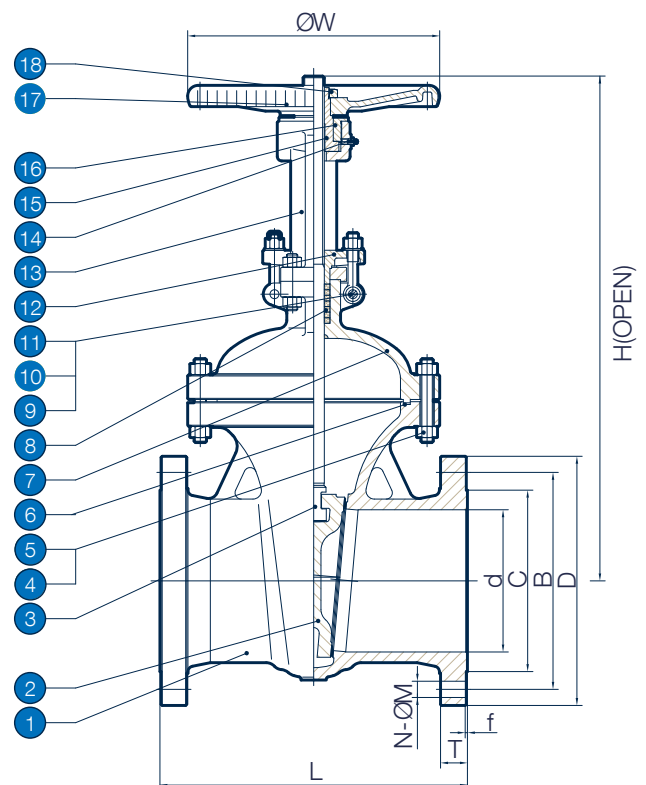
-20°C to 425°C (-4°F to 800°F)

» Note

For non-horizontal installation, please ensure to consult with us separately, as special request must be generated to ensure proper function.

Materials List:

NO	PART NAME	MATERIAL
1	BODY	DIN 17245 GS-C25 + 13Cr
2	WEDGE	DIN 17245 GS-C25 + 13Cr
3	STEM	ASTM A182 F6a
4	BONNET BOLT	ASTM A193 B7
5	BONNET NUT	ASTM A194 2H
6	GASKET	SS304+FLEXIBLE GRAPHITE
7	BONNET	DIN 17245 GS-C25
8	STEM PACKING	FLEXIBLE GRAPHITE
9	GLAND EYEBOLT	ASTM A193 B7
10	GLAND NUT	ASTM A194 2H
11	PIN	AISI 1025
12	GLAND FLANGE	DIN 17245 GS-C25
13	YOKE	DIN 17245 GS-C25
14	NIPPLE	COPPER ALLOY
15	STEM NUT	ASTM A439 D2
16	RETAINING NUT	AISI 1025
17	HANDWHEEL	DUCTILE IRON
18	LOCK NUT	AISI 1025



Dimensions (mm):

SIZE		d	D	B	C	W	L	H	T	f	N	M	Weight (KG)
DN	NPS												
200	8	200	340	295	268	350	400	985	24	3	12	22	125
250	10	250	405	355	320	400	450	1114	26	3	12	26	175
300	12	300	460	410	378	450	500	1340	28	4	12	26	275
350	14	350	520	470	438	500	550	1550	30	4	16	26	390
400	16	400	580	525	490	550	600	1700	32	4	16	30	465
500	20	500	715	650	610	700	700	2110	36	4	20	33	825
600	24	600	840	770	725	700	800	2540	40	5	20	36	1450

GATE VALVE

Cast Steel OS&Y to DIN
PN16, DN700-DN1000

KSD-GTF PN16-F5

» Features

Cast steel body construction providing liberal strength to meet most conditions
Integral yoke & bonnet; Outside screw & yoke, bolted bonnet
Single flexible wedge disc compensates for deformation of body due to pipe stresses
Seal welded seat ring eliminates leak path behind rings and for long trouble-free service
Available in flanged end connection; butt weld end also available

» Body Material

DIN 17245 GS-C25

» Standards

Basic design to DIN 3352
Face-to-Face acc. to EN 558 Series 15(DIN 3202-F5)
Flange Dimensions acc. to EN 1092-1
Inspection & test according to EN 12266-1

» Temperature Range

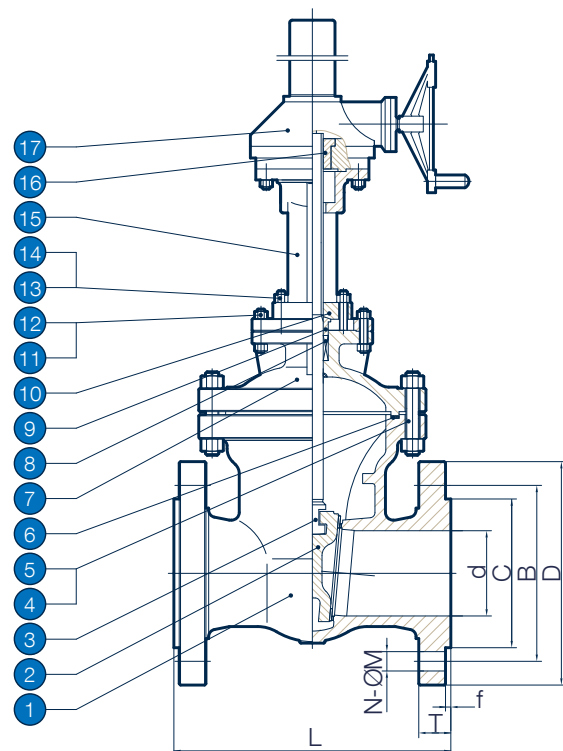
-20°C to 425°C (-4°F to 800°F)

» Note

For non-horizontal installation, please ensure to consult with us separately, as special request must be generated to ensure proper function.

Materials List:

NO	PART NAME	MATERIAL
1	BODY	DIN 17245 GS-C25 + 13Cr
2	WEDGE	DIN 17245 GS-C25 + 13Cr
3	STEM	ASTM A182 F6a
4	BONNET BOLT	ASTM A193 B7
5	BONNET NUT	ASTM A194 2H
6	GASKET	SS304+FLEXIBLE GRAPHITE
7	BONNET	DIN 17245 GS-C25
8	STEM PACKING	FLEXIBLE GRAPHITE
9	GLAND	ASTM A182 F6a
10	GLAND FLANGE	DIN 17245 GS-C25
11	BOLT	ASTM A193 B7
12	NUT	ASTM A194 2H
13	YOKE BOLT	ASTM A193 B7
14	YOKE NUT	ASTM A194 2H
15	YOKE	DIN 17245 GS-C25
16	STEM NUT	ASTM A439 D2
17	GEAR BOX	COMPONENTS



Dimensions (mm):

SIZE		d	D	B	C	L	T	f	N	M
DN	NPS									
700	28	700	910	840	795	900	42	5	24	36
800	32	800	1025	950	900	1000	42	5	24	39
900	36	900	1125	1050	1000	1100	44	5	28	39
1000	40	1000	1255	1170	1115	1200	46	5	28	42

GATE VALVE

Cast Steel OS&Y to DIN
 PN25, DN50-DN150

KSD-GTF PN25-F5

» Features

Cast steel body construction providing liberal strength to meet most conditions
 Integral yoke & bonnet; Outside screw & yoke, bolted bonnet
 Single flexible wedge disc compensates for deformation of body due to pipe stresses
 Seal welded seat ring eliminates leak path behind rings and for long trouble-free service
 Available in flanged end connection; butt weld end also available

» Body Material

DIN 17245 GS-C25

» Standards

Basic design to DIN 3352
 Face-to-Face acc. to EN 558 Series 15(DIN 3202-F5)
 Flange Dimensions acc. to EN 1092-1
 Inspection & test according to EN 12266-1

» Temperature Range

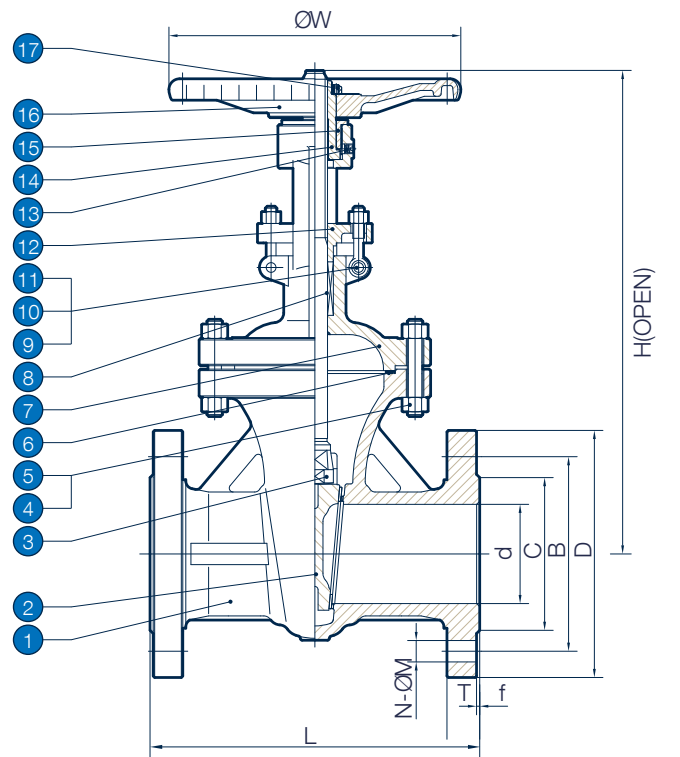
-20°C to 425°C (-4°F to 800°F)

» Note

For non-horizontal installation, please ensure to consult with us separately, as special request must be generated to ensure proper function.

Materials List:

NO	PART NAME	MATERIAL
1	BODY	DIN 17245 GS-C25 + 13Cr
2	WEDGE	DIN 17245 GS-C25 + 13Cr
3	STEM	ASTM A182 F6a
4	BONNET BOLT	ASTM A193 B7
5	BONNET NUT	ASTM A194 2H
6	GASKET	SS304+FLEXIBLE GRAPHITE
7	BONNET	DIN 17245 GS-C25
8	STEM PACKING	FLEXIBLE GRAPHITE
9	GLAND EYEBOLT	ASTM A193 B7
10	GLAND NUT	ASTM A194 2H
11	PIN	AISI 1025
12	GLAND FLANGE	DIN 17245 GS-C25
13	NIPPLE	COPPER ALLOY
14	STEM NUT	ASTM A439 D2
15	RETAINING NUT	AISI 1025
16	HANDWHEEL	DUCTILE IRON
17	LOCK NUT	AISI 1025



Dimensions (mm):

SIZE		d	D	B	C	W	L	H	T	f	N	M
DN	NPS											
50	2	50	165	125	102	200	250	410	20	3	4	18
65	2½	65	185	145	122	220	270	462	22	3	8	18
80	3	80	200	160	138	250	280	518	24	3	8	18
100	4	100	235	190	162	280	300	605	24	3	8	22
125	5	125	270	220	188	300	325	678	26	3	8	26
150	6	150	300	250	218	300	350	798	28	3	8	26

GATE VALVE

Cast Steel OS&Y to DIN
PN25, DN200-DN600

KSD-GTF PN25-F5

» Features

Cast steel body construction providing liberal strength to meet most conditions
Integral yoke & bonnet; Outside screw & yoke, bolted bonnet
Single flexible wedge disc compensates for deformation of body due to pipe stresses
Seal welded seat ring eliminates leak path behind rings and for long trouble-free service
Available in flanged end connection; butt weld end also available

» Body Material

DIN 17245 GS-C25

» Standards

Basic design to DIN 3352
Face-to-Face acc. to EN 558 Series 15(DIN 3202-F5)
Flange Dimensions acc. to EN 1092-1
Inspection & test according to EN 12266-1

» Temperature Range

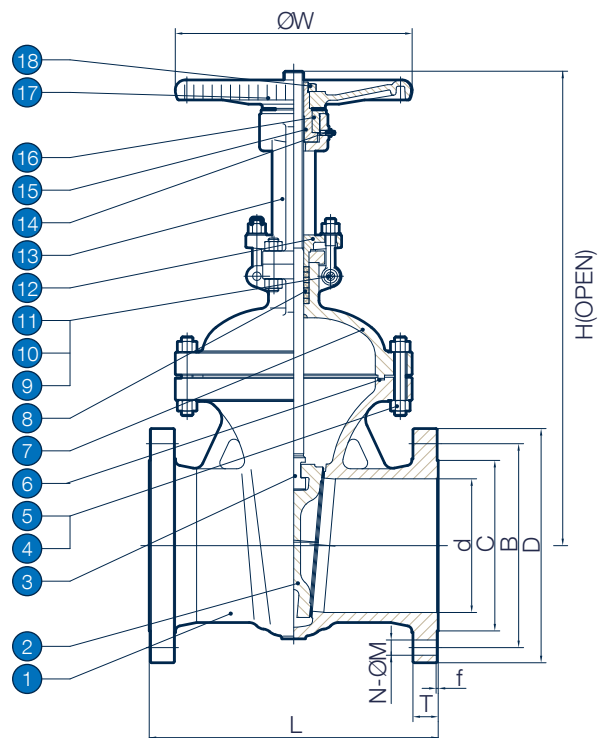
-20°C to 425°C (-4°F to 800°F)

» Note

For non-horizontal installation, please ensure to consult with us separately, as special request must be generated to ensure proper function.

Materials List:

NO	PART NAME	MATERIAL
1	BODY	DIN 17245 GS-C25 + 13Cr
2	WEDGE	DIN 17245 GS-C25 + 13Cr
3	STEM	ASTM A182 F6a
4	BONNET BOLT	ASTM A193 B7
5	BONNET NUT	ASTM A194 2H
6	GASKET	SS304+FLEXIBLE GRAPHITE
7	BONNET	DIN 17245 GS-C25
8	STEM PACKING	FLEXIBLE GRAPHITE
9	GLAND EYEBOLT	ASTM A193 B7
10	GLAND NUT	ASTM A194 2H
11	PIN	AISI 1025
12	GLAND FLANGE	DIN 17245 GS-C25
13	YOKE	DIN 17245 GS-C25
14	NIPPLE	COPPER ALLOY
15	STEM NUT	ASTM A439 D2
16	RETAINING NUT	AISI 1025
17	HANDWHEEL	DUCTILE IRON
18	LOCK NUT	AISI 1025



Dimensions (mm):

SIZE		d	D	B	C	W	L	H	T	f	N	M
DN	NPS											
200	8	200	360	310	278	350	400	985	30	3	12	26
250	10	250	425	370	335	400	450	1114	32	3	12	30
300	12	300	485	430	395	450	500	1340	34	4	16	30
350	14	350	555	490	450	500	550	1550	38	4	16	33
400	16	400	620	550	505	550	600	1700	40	4	16	36
500	20	500	730	660	615	700	700	2110	44	4	20	36
600	24	600	845	770	720	700	800	2540	46	5	20	39

GATE VALVE

Cast Steel OS&Y to DIN
PN25, DN700-DN1000

KSD-GTF PN25-F5

» Features

Cast steel body construction providing liberal strength to meet most conditions
Integral yoke & bonnet; Outside screw & yoke, bolted bonnet
Single flexible wedge disc compensates for deformation of body due to pipe stresses
Seal welded seat ring eliminates leak path behind rings and for long trouble-free service
Available in flanged end connection; butt weld end also available

» Body Material

DIN 17245 GS-C25

» Standards

Basic design to DIN 3352
Face-to-Face acc. to EN 558 Series 15(DIN 3202-F5)
Flange Dimensions acc. to EN 1092-1
Inspection & test according to EN 12266-1

» Temperature Range

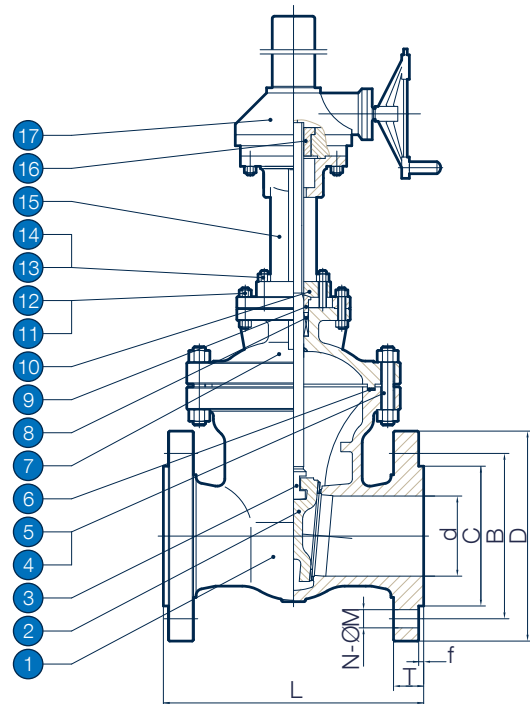
-20°C to 425°C (-4°F to 800°F)

» Note

For non-horizontal installation, please ensure to consult with us separately, as special request must be generated to ensure proper function.

Materials List:

NO	PART NAME	MATERIAL
1	BODY	DIN 17245 GS-C25 + 13Cr
2	WEDGE	DIN 17245 GS-C25 + 13Cr
3	STEM	ASTM A182 F6a
4	BONNET BOLT	ASTM A193 B7
5	BONNET NUT	ASTM A194 2H
6	GASKET	SS304+FLEXIBLE GRAPHITE
7	BONNET	DIN 17245 GS-C25
8	STEM PACKING	FLEXIBLE GRAPHITE
9	GLAND	ASTM A182 F6a
10	GLAND FLANGE	DIN 17245 GS-C25
11	BOLT	ASTM A193 B7
12	NUT	ASTM A194 2H
13	YOKE BOLT	ASTM A193 B7
14	YOKE NUT	ASTM A194 2H
15	YOKE	DIN 17245 GS-C25
16	STEM NUT	ASTM A439 D2
17	GEAR BOX	COMPONENTS



Dimensions (mm):

SIZE		d	D	B	C	L	T	f	N	M
DN	NPS									
700	28	700	960	875	820	900	50	5	24	42
800	32	800	1085	990	930	1000	54	5	24	48
900	36	900	1185	1090	1030	1100	58	5	28	48
1000	40	1000	1320	1210	1140	1200	62	5	28	56

GATE VALVE

Cast Steel OS&Y to DIN
 PN40, DN50-DN150

KSD-GTF PN40-F7

» Features

Cast steel body construction providing liberal strength to meet most conditions
 Integral yoke & bonnet; Outside screw & yoke, bolted bonnet
 Single flexible wedge disc compensates for deformation of body due to pipe stresses
 Seal welded seat ring eliminates leak path behind rings and for long trouble-free service
 Available in flanged end connection; butt weld end also available

» Body Material

DIN 17245 GS-C25

» Standards

Basic design to DIN 3352
 Face-to-Face acc. to EN 558 Series 26(DIN 3202-F7)
 Flange Dimensions acc. to EN 1092-1
 Inspection & test according to EN 12266-1

» Temperature Range

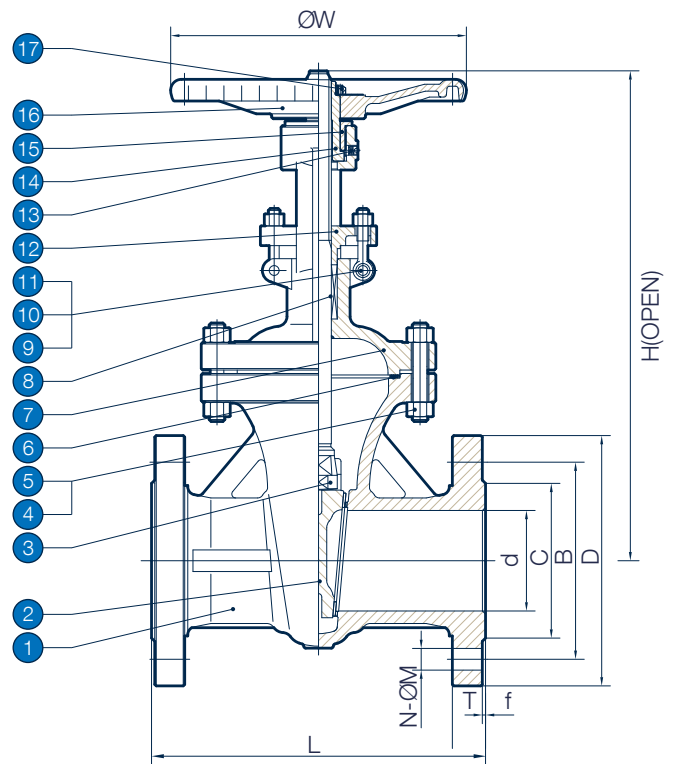
-20°C to 425°C (-4°F to 800°F)

» Note

For non-horizontal installation, please ensure to consult with us separately, as special request must be generated to ensure proper function.

Materials List:

NO	PART NAME	MATERIAL
1	BODY	DIN 17245 GS-C25 + 13Cr
2	WEDGE	DIN 17245 GS-C25 + 13Cr
3	STEM	ASTM A182 F6a
4	BONNET BOLT	ASTM A193 B7
5	BONNET NUT	ASTM A194 2H
6	GASKET	SS304+FLEXIBLE GRAPHITE
7	BONNET	DIN 17245 GS-C25
8	STEM PACKING	FLEXIBLE GRAPHITE
9	GLAND EYEBOLT	ASTM A193 B7
10	GLAND NUT	ASTM A194 2H
11	PIN	AISI 1025
12	GLAND FLANGE	DIN 17245 GS-C25
13	NIPPLE	COPPER ALLOY
14	STEM NUT	ASTM A439 D2
15	RETAINING NUT	AISI 1025
16	HANDWHEEL	DUCTILE IRON
17	LOCK NUT	AISI 1025



Dimensions (mm):

SIZE		d	D	B	C	W	L	H	T	f	N	M
DN	NPS											
50	2	50	165	125	102	200	250	410	20	3	4	18
65	2½	65	185	145	122	220	290	462	22	3	8	18
80	3	80	200	160	138	250	310	518	24	3	8	18
100	4	100	235	190	162	280	350	605	24	3	8	22
125	5	125	270	220	188	300	400	678	26	3	8	26
150	6	150	300	250	218	300	450	798	28	3	8	26

GATE VALVE

Cast Steel OS&Y to DIN
PN40, DN200-DN600

KSD-GTF PN40-F7

» Features

Cast steel body construction providing liberal strength to meet most conditions
Integral yoke & bonnet; Outside screw & yoke, bolted bonnet
Single flexible wedge disc compensates for deformation of body due to pipe stresses
Seal welded seat ring eliminates leak path behind rings and for long trouble-free service
Available in flanged end connection; butt weld end also available

» Body Material

DIN 17245 GS-C25

» Standards

Basic design to DIN 3352
Face-to-Face acc. to EN 558 Series 26(DIN 3202-F7)
Flange Dimensions acc. to EN 1092-1
Inspection & test according to EN 12266-1

» Temperature Range

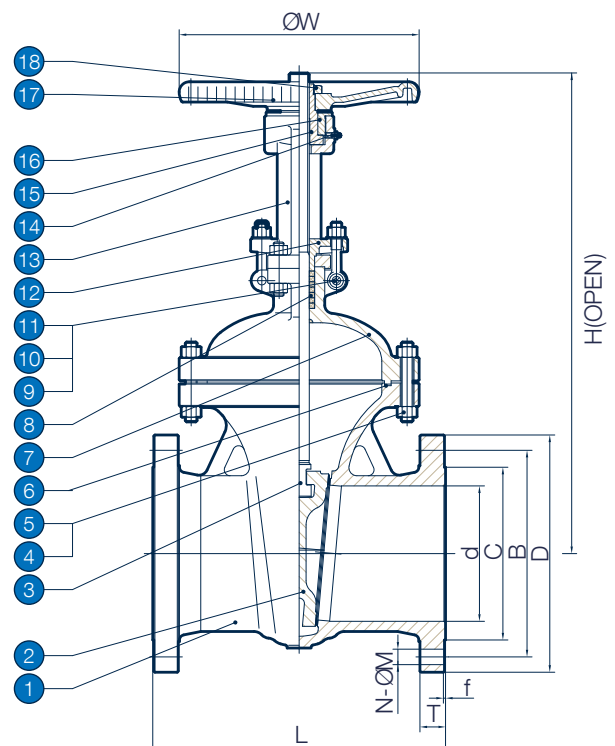
-20°C to 425°C (-4°F to 800°F)

» Note

For non-horizontal installation, please ensure to consult with us separately, as special request must be generated to ensure proper function.

Materials List:

NO	PART NAME	MATERIAL
1	BODY	DIN 17245 GS-C25 + 13Cr
2	WEDGE	DIN 17245 GS-C25 + 13Cr
3	STEM	ASTM A182 F6a
4	BONNET BOLT	ASTM A193 B7
5	BONNET NUT	ASTM A194 2H
6	GASKET	SS304+FLEXIBLE GRAPHITE
7	BONNET	DIN 17245 GS-C25
8	STEM PACKING	FLEXIBLE GRAPHITE
9	GLAND EYEBOLT	ASTM A193 B7
10	GLAND NUT	ASTM A194 2H
11	PIN	AISI 1025
12	GLAND FLANGE	DIN 17245 GS-C25
13	YOKE	DIN 17245 GS-C25
14	NIPPLE	COPPER ALLOY
15	STEM NUT	ASTM A439 D2
16	RETAINING NUT	AISI 1025
17	HANDWHEEL	DUCTILE IRON
18	LOCK NUT	AISI 1025



Dimensions (mm):

SIZE		d	D	B	C	W	L	H	T	f	N	M
DN	NPS											
200	8	200	375	320	285	400	550	1015	34	3	12	30
250	10	250	450	385	345	450	650	1220	38	3	12	33
300	12	300	515	450	410	500	750	1440	42	4	16	33
350	14	350	580	510	465	550	850	1600	46	4	16	36
400	16	400	660	585	535	550	950	1780	50	4	16	39
500	20	500	755	670	615	700	1150	2200	52	4	20	42
600	24	600	890	795	735	700	1350	2650	60	5	20	48

GATE VALVE

Cast Steel OS&Y to DIN
 PN40, DN700-DN1000

KSD-GTF PN40-F7

» Features

Cast steel body construction providing liberal strength to meet most conditions
 Integral yoke & bonnet; Outside screw & yoke, bolted bonnet
 Single flexible wedge disc compensates for deformation of body due to pipe stresses
 Seal welded seat ring eliminates leak path behind rings and for long trouble-free service
 Available in flanged end connection; butt weld end also available

» Body Material

DIN 17245 GS-C25

» Standards

Basic design to DIN 3352
 Face-to-Face acc. to EN 558 Series 26(DIN 3202-F7)
 Flange Dimensions acc. to EN 1092-1
 Inspection & test according to EN 12266-1

» Temperature Range

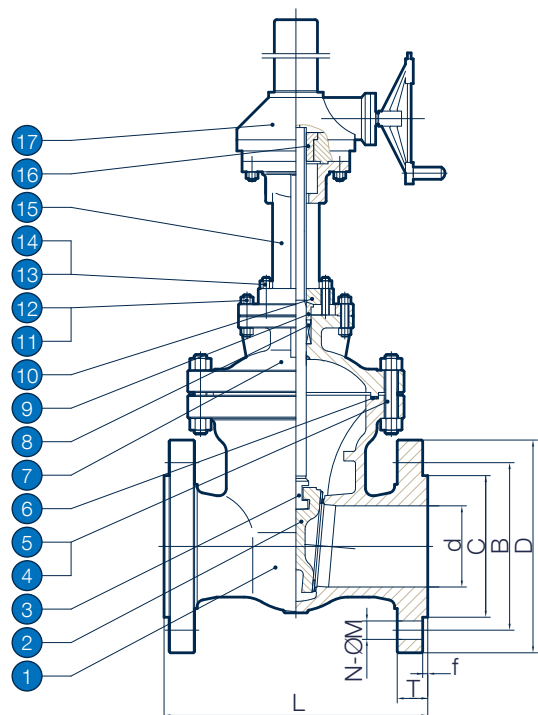
-20°C to 425°C (-4°F to 800°F)

» Note

For non-horizontal installation, please ensure to consult with us separately, as special request must be generated to ensure proper function.

Materials List:

NO	PART NAME	MATERIAL
1	BODY	DIN 17245 GS-C25 + 13Cr
2	WEDGE	DIN 17245 GS-C25 + 13Cr
3	STEM	ASTM A182 F6a
4	BONNET BOLT	ASTM A193 B7
5	BONNET NUT	ASTM A194 2H
6	GASKET	SS304+FLEXIBLE GRAPHITE
7	BONNET	DIN 17245 GS-C25
8	STEM PACKING	FLEXIBLE GRAPHITE
9	GLAND	ASTM A182 F6a
10	GLAND FLANGE	DIN 17245 GS-C25
11	BOLT	ASTM A193 B7
12	NUT	ASTM A194 2H
13	YOKE BOLT	ASTM A193 B7
14	YOKE NUT	ASTM A194 2H
15	YOKE	DIN 17245 GS-C25
16	STEM NUT	ASTM A439 D2
17	GEAR BOX	COMPONENTS



Dimensions (mm):

SIZE		d	D	B	C	L	T	f	N	M
DN	NPS									
700	28	700	995	900	840	1550	64	5	24	48
800	32	800	1140	1030	960	1750	72	5	24	56
900	36	900	1250	1140	1070	1950	76	5	28	56
1000	40	1000	1360	1250	1180	2150	80	5	28	56

GATE VALVE

Cast Steel OS&Y to DIN
 PN63, DN50-DN150

KSD-GTF PN63-F7

» Features

Cast steel body construction providing liberal strength to meet most conditions
 Integral yoke & bonnet; Outside screw & yoke, bolted bonnet
 Single flexible wedge disc compensates for deformation of body due to pipe stresses
 Seal welded seat ring eliminates leak path behind rings and for long trouble-free service
 Available in flanged end connection; butt weld end also available

» Body Material

DIN 17245 GS-C25

» Standards

Basic design to DIN 3352
 Face-to-Face acc. to EN 558 Series 26(DIN 3202-F7)
 Flange Dimensions acc. to EN 1092-1
 Inspection & test according to EN 12266-1

» Temperature Range

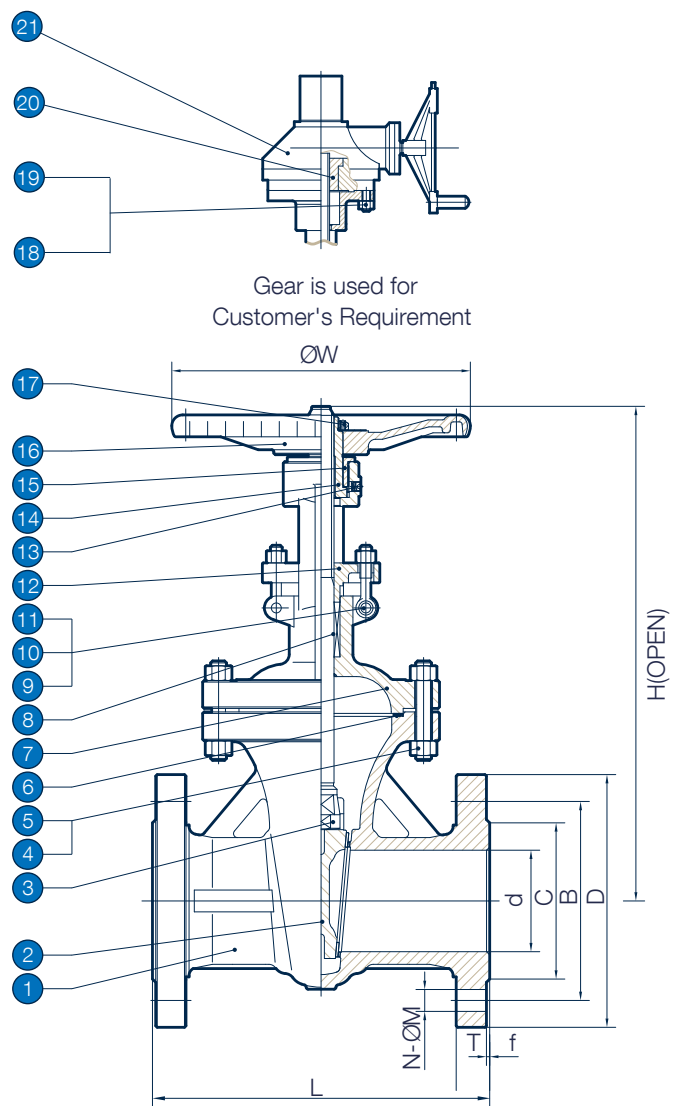
-20°C to 425°C (-4°F to 800°F)

» Note

For non-horizontal installation, please ensure to consult with us separately, as special request must be generated to ensure proper function.

Materials List:

NO	PART NAME	MATERIAL
1	BODY	DIN 17245 GS-C25 + 13Cr
2	WEDGE	DIN 17245 GS-C25 + 13Cr
3	STEM	ASTM A182 F6a
4	BONNET BOLT	ASTM A193 B7
5	BONNET NUT	ASTM A194 2H
6	GASKET	SS304+FLEXIBLE GRAPHITE
7	BONNET	DIN 17245 GS-C25
8	STEM PACKING	FLEXIBLE GRAPHITE
9	GLAND EYEBOLT	ASTM A193 B7
10	GLAND NUT	ASTM A194 2H
11	PIN	AISI 1025
12	GLAND FLANGE	DIN 17245 GS-C25
13	NIPPLE	COPPER ALLOY
14	STEM NUT	ASTM A439 D2
15	RETAINING NUT	AISI 1025
16	HANDWHEEL	DUCTILE IRON
17	LOCK NUT	AISI 1025
18	NUT	ASTM A194 2H
19	BOLT	ASTM A193 B7
20	STEM NUT	COPPER ALLOY
21	GEAR BOX	COMPONENTS



Dimensions (mm):

SIZE		d	D	B	C	W	L	H	T	f	N	M
DN	NPS											
50	2	50	180	135	102	200	250	410	26	3	4	22
65	2½	65	205	160	122	220	290	462	28	3	8	22
80	3	80	215	170	138	250	310	518	30	3	8	22
100	4	100	250	200	162	280	350	605	32	3	8	26
125	5	125	295	240	188	300	400	678	34	3	8	30
150	6	150	345	280	218	300	450	798	36	3	8	33

GATE VALVE

Cast Steel OS&Y to DIN
PN63, DN200-DN400

KSD-GTF PN63-F7

» Features

Cast steel body construction providing liberal strength to meet most conditions
Integral yoke & bonnet; Outside screw & yoke, bolted bonnet
Single flexible wedge disc compensates for deformation of body due to pipe stresses
Seal welded seat ring eliminates leak path behind rings and for long trouble-free service
Available in flanged end connection; butt weld end also available

» Body Material

DIN 17245 GS-C25

» Standards

Basic design to DIN 3352
Face-to-Face acc. to EN 558 Series 26(DIN 3202-F7)
Flange Dimensions acc. to EN 1092-1
Inspection & test according to EN 12266-1

» Temperature Range

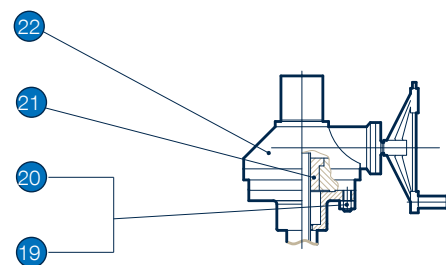
-20°C to 425°C (-4°F to 800°F)

» Note

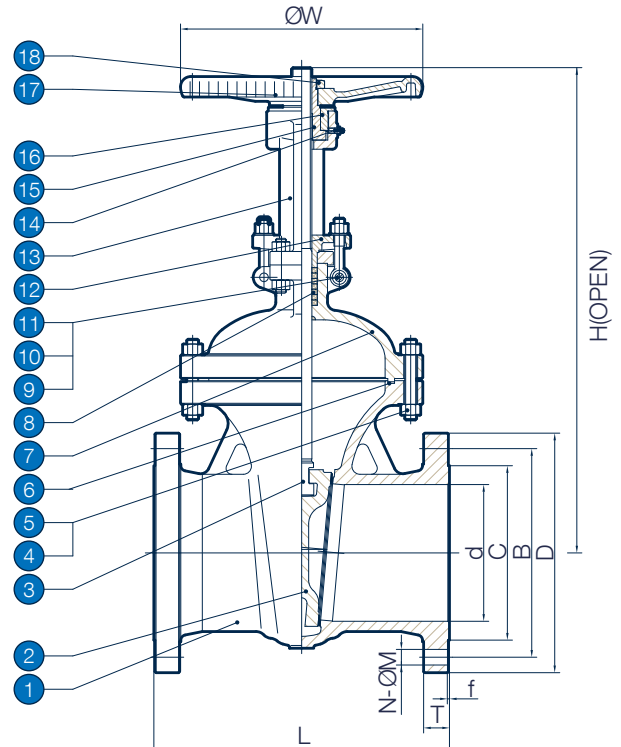
For non-horizontal installation, please ensure to consult with us separately, as special request must be generated to ensure proper function.

Materials List:

NO	PART NAME	MATERIAL
1	BODY	DIN 17245 GS-C25 + 13Cr
2	WEDGE	DIN 17245 GS-C25 + 13Cr
3	STEM	ASTM A182 F6a
4	BONNET BOLT	ASTM A193 B7
5	BONNET NUT	ASTM A194 2H
6	GASKET	SS304+FLEXIBLE GRAPHITE
7	BONNET	DIN 17245 GS-C25
8	STEM PACKING	FLEXIBLE GRAPHITE
9	GLAND EYEBOLT	ASTM A193 B7
10	GLAND NUT	ASTM A194 2H
11	PIN	AISI 1025
12	GLAND FLANGE	DIN 17245 GS-C25
13	YOKE	DIN 17245 GS-C25
14	NIPPLE	COPPER ALLOY
15	STEM NUT	ASTM A439 D2
16	RETAINING NUT	AISI 1025
17	HANDWHEEL	DUCTILE IRON
18	LOCK NUT	AISI 1025
19	NUT	ASTM A194 2H
20	BOLT	ASTM A193 B7
21	STEM NUT	COPPER ALLOY
22	GEAR BOX	COMPONENTS



Gear is used for
Customer's Requirement



Dimensions (mm):

SIZE		d	D	B	C	W	L	H	T	f	N	M
DN	NPS											
200	8	200	415	345	285	400	550	1015	42	3	12	36
250	10	250	470	400	345	450	650	1220	46	3	12	36
300	12	300	530	460	410	500	750	1440	52	4	16	36
350	14	350	600	525	465	550	850	1600	56	4	16	39
400	16	400	670	585	535	550	950	1780	60	4	16	42

GATE VALVE

Cast Steel OS&Y to DIN
 PN100, DN50-DN150

KSD-GTF PN100-F7

» Features

Cast steel body construction providing liberal strength to meet most conditions
 Integral yoke & bonnet; Outside screw & yoke, bolted bonnet
 Single flexible wedge disc compensates for deformation of body due to pipe stresses
 Seal welded seat ring eliminates leak path behind rings and for long trouble-free service
 Available in flanged end connection; butt weld end also available

» Body Material

DIN 17245 GS-C25

» Standards

Basic design to DIN 3352
 Face-to-Face acc. to EN 558 Series 26(DIN 3202-F7)
 Flange Dimensions acc. to EN 1092-1
 Inspection & test according to EN 12266-1

» Temperature Range

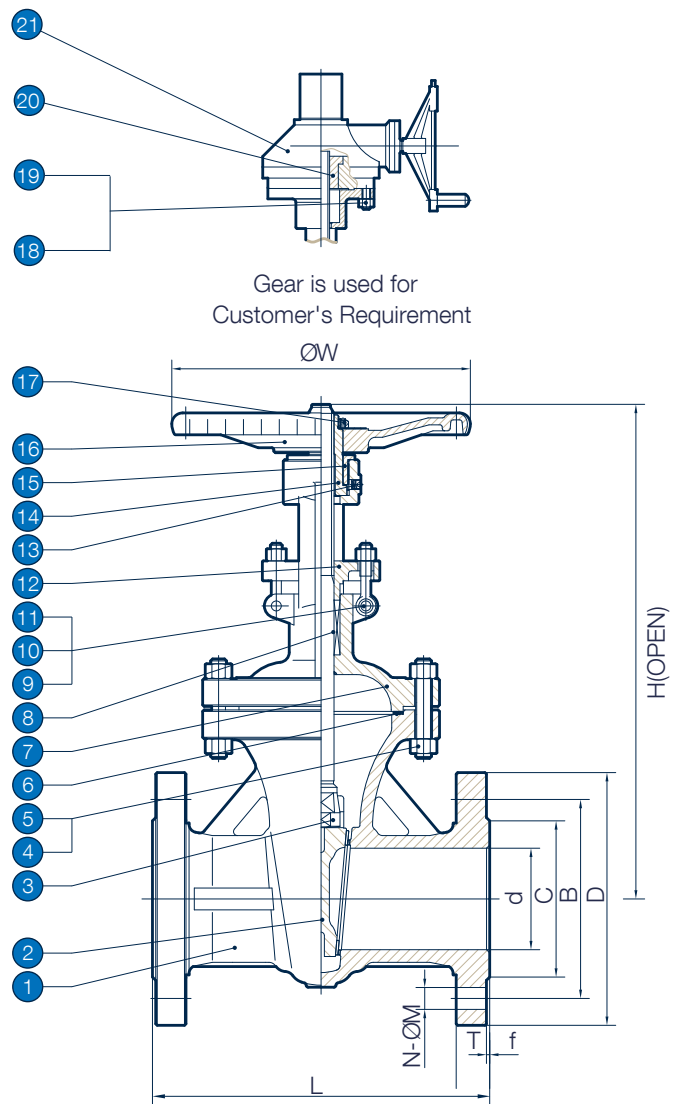
-20°C to 425°C (-4°F to 800°F)

» Note

For non-horizontal installation, please ensure to consult with us separately, as special request must be generated to ensure proper function.

Materials List:

NO	PART NAME	MATERIAL
1	BODY	DIN 17245 GS-C25 + 13Cr
2	WEDGE	DIN 17245 GS-C25 + 13Cr
3	STEM	ASTM A182 F6a
4	BONNET BOLT	ASTM A193 B7
5	BONNET NUT	ASTM A194 2H
6	GASKET	SS304+FLEXIBLE GRAPHITE
7	BONNET	DIN 17245 GS-C25
8	STEM PACKING	FLEXIBLE GRAPHITE
9	GLAND EYEBOLT	ASTM A193 B7
10	GLAND NUT	ASTM A194 2H
11	PIN	AISI 1025
12	GLAND FLANGE	DIN 17245 GS-C25
13	NIPPLE	COPPER ALLOY
14	STEM NUT	ASTM A439 D2
15	RETAINING NUT	AISI 1025
16	HANDWHEEL	DUCTILE IRON
17	LOCK NUT	AISI 1025
18	NUT	ASTM A194 2H
19	BOLT	ASTM A193 B7
20	STEM NUT	COPPER ALLOY
21	GEAR BOX	COMPONENTS



Dimensions (mm):

SIZE		d	D	B	C	W	L	H	T	f	N	M
DN	NPS											
50	2	50	195	145	102	220	250	440	30	3	4	26
65	2½	65	220	170	122	250	290	480	34	3	8	26
80	3	80	230	180	138	280	310	525	36	3	8	26
100	4	100	265	210	162	300	350	625	40	3	8	30
125	5	125	315	250	188	400	400	740	40	3	8	33
150	6	150	355	290	218	450	450	810	44	3	12	33

GATE VALVE

Cast Steel OS&Y to DIN
 PN100, DN200-DN350

KSD-GTF PN100-F7

» Features

Cast steel body construction providing liberal strength to meet most conditions
 Integral yoke & bonnet; Outside screw & yoke, bolted bonnet
 Single flexible wedge disc compensates for deformation of body due to pipe stresses
 Seal welded seat ring eliminates leak path behind rings and for long trouble-free service
 Available in flanged end connection; butt weld end also available

» Body Material

DIN 17245 GS-C25

» Standards

Basic design to DIN 3352
 Face-to-Face acc. to EN 558 Series 26(DIN 3202-F7)
 Flange Dimensions acc. to EN 1092-1
 Inspection & test according to EN 12266-1

» Temperature Range

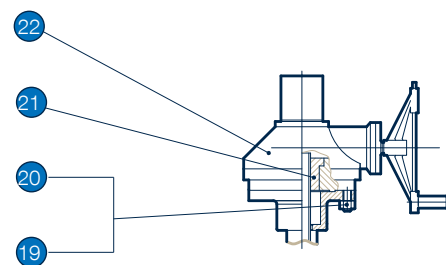
-20°C to 425°C (-4°F to 800°F)

» Note

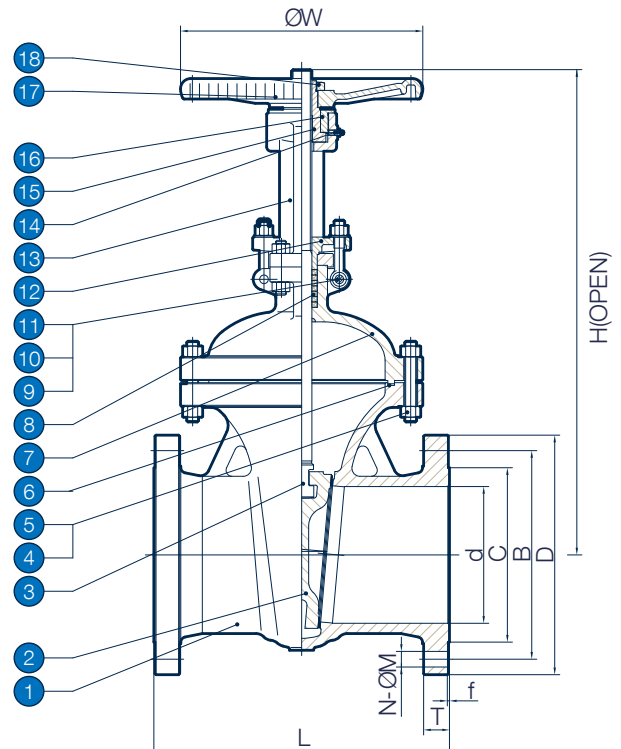
For non-horizontal installation, please ensure to consult with us separately, as special request must be generated to ensure proper function.

Materials List:

NO	PART NAME	MATERIAL
1	BODY	DIN 17245 GS-C25 + 13Cr
2	WEDGE	DIN 17245 GS-C25 + 13Cr
3	STEM	ASTM A182 F6a
4	BONNET BOLT	ASTM A193 B7
5	BONNET NUT	ASTM A194 2H
6	GASKET	SS304+FLEXIBLE GRAPHITE
7	BONNET	DIN 17245 GS-C25
8	STEM PACKING	FLEXIBLE GRAPHITE
9	GLAND EYEBOLT	ASTM A193 B7
10	GLAND NUT	ASTM A194 2H
11	PIN	AISI 1025
12	GLAND FLANGE	DIN 17245 GS-C25
13	YOKE	DIN 17245 GS-C25
14	NIPPLE	COPPER ALLOY
15	STEM NUT	ASTM A439 D2
16	RETAINING NUT	AISI 1025
17	HANDWHEEL	DUCTILE IRON
18	LOCK NUT	AISI 1025
19	NUT	ASTM A194 2H
20	BOLT	ASTM A193 B7
21	STEM NUT	COPPER ALLOY
22	GEAR BOX	COMPONENTS



Gear is used for
 Customer's Requirement



Dimensions (mm):

SIZE		d	D	B	C	W	L	H	T	f	N	M
DN	NPS											
200	8	200	430	360	285	400	550	1015	52	3	12	36
250	10	250	505	430	345	450	650	1220	60	3	12	39
300	12	300	585	500	410	500	750	1440	68	4	16	42
350	14	350	655	560	465	550	850	1600	74	4	16	48

GATE VALVE

Cast Steel OS&Y to DIN
 PN160, DN50-DN150

KSD-GTF PN160-F7

» Features

Cast steel body construction providing liberal strength to meet most conditions
 Integral yoke & bonnet; Outside screw & yoke, bolted bonnet
 Single flexible wedge disc compensates for deformation of body due to pipe stresses
 Seal welded seat ring eliminates leak path behind rings and for long trouble-free service
 Available in flanged end connection; butt weld end also available

» Body Material

DIN 17245 GS-C25

» Standards

Basic design to DIN 3352
 Face-to-Face acc. to EN 558 Series 26(DIN 3202-F7)
 Flange Dimensions acc. to EN 1092-1
 Inspection & test according to EN 12266-1

» Temperature Range

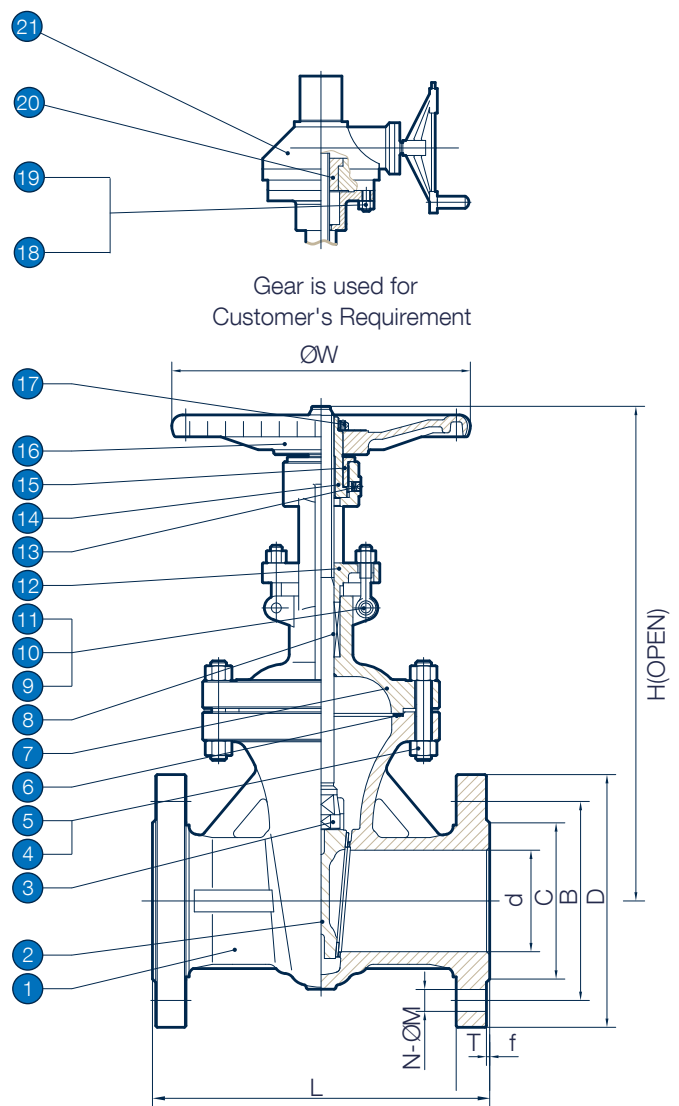
-20°C to 425°C (-4°F to 800°F)

» Note

For non-horizontal installation, please ensure to consult with us separately, as special request must be generated to ensure proper function.

Materials List:

NO	PART NAME	MATERIAL
1	BODY	DIN 17245 GS-C25 + 13Cr
2	WEDGE	DIN 17245 GS-C25 + 13Cr
3	STEM	ASTM A182 F6a
4	BONNET BOLT	ASTM A193 B7
5	BONNET NUT	ASTM A194 2H
6	GASKET	SS304+FLEXIBLE GRAPHITE
7	BONNET	DIN 17245 GS-C25
8	STEM PACKING	FLEXIBLE GRAPHITE
9	GLAND EYEBOLT	ASTM A193 B7
10	GLAND NUT	ASTM A194 2H
11	PIN	AISI 1025
12	GLAND FLANGE	DIN 17245 GS-C25
13	NIPPLE	COPPER ALLOY
14	STEM NUT	ASTM A439 D2
15	RETAINING NUT	AISI 1025
16	HANDWHEEL	DUCTILE IRON
17	LOCK NUT	AISI 1025
18	NUT	ASTM A194 2H
19	BOLT	ASTM A193 B7
20	STEM NUT	COPPER ALLOY
21	GEAR BOX	COMPONENTS



Dimensions (mm):

SIZE		d	D	B	C	W	L	H	T	f	N	M
DN	NPS											
50	2	50	195	145	102	220	250	440	30	3	4	26
65	2½	65	220	170	122	250	290	480	34	3	8	26
80	3	80	230	180	138	280	310	525	36	3	8	26
100	4	100	265	210	162	300	350	625	40	3	8	30
125	5	125	315	250	188	400	400	740	44	3	8	33
150	6	150	355	290	218	450	450	810	50	3	12	33

GATE VALVE

Cast Steel OS&Y to DIN
 PN160, DN200-DN350

KSD-GTF PN160-F7

» Features

Cast steel body construction providing liberal strength to meet most conditions
 Integral yoke & bonnet; Outside screw & yoke, bolted bonnet
 Single flexible wedge disc compensates for deformation of body due to pipe stresses
 Seal welded seat ring eliminates leak path behind rings and for long trouble-free service
 Available in flanged end connection; butt weld end also available

» Body Material

DIN 17245 GS-C25

» Standards

Basic design to DIN 3352
 Face-to-Face acc. to EN 558 Series 26(DIN 3202-F7)
 Flange Dimensions acc. to EN 1092-1
 Inspection & test according to EN 12266-1

» Temperature Range

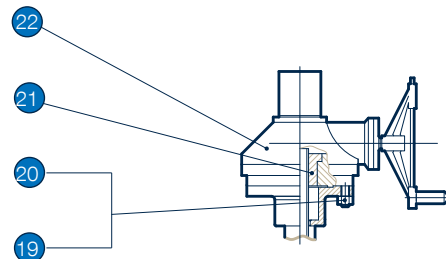
-20°C to 425°C (-4°F to 800°F)

» Note

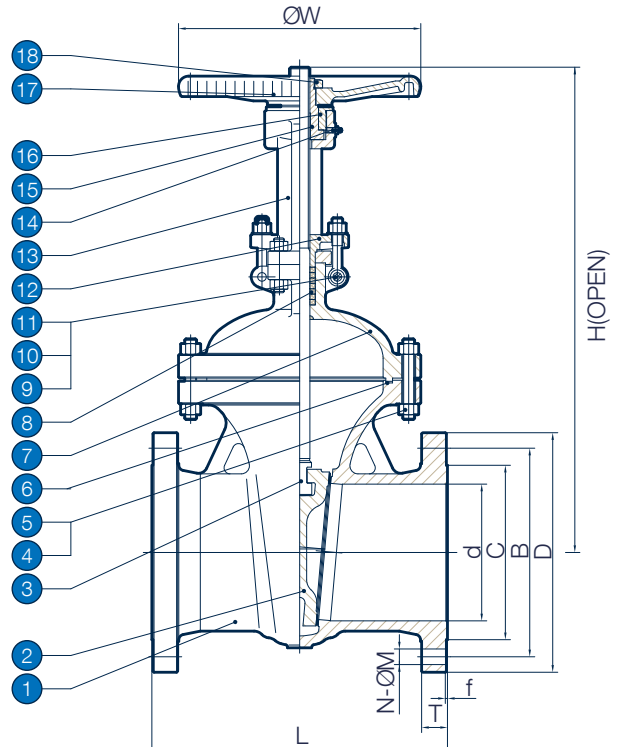
For non-horizontal installation, please ensure to consult with us separately, as special request must be generated to ensure proper function.

Materials List:

NO	PART NAME	MATERIAL
1	BODY	DIN 17245 GS-C25 + 13Cr
2	WEDGE	DIN 17245 GS-C25 + 13Cr
3	STEM	ASTM A182 F6a
4	BONNET BOLT	ASTM A193 B7
5	BONNET NUT	ASTM A194 2H
6	GASKET	SS304+FLEXIBLE GRAPHITE
7	BONNET	DIN 17245 GS-C25
8	STEM PACKING	FLEXIBLE GRAPHITE
9	GLAND EYEBOLT	ASTM A193 B7
10	GLAND NUT	ASTM A194 2H
11	PIN	AISI 1025
12	GLAND FLANGE	DIN 17245 GS-C25
13	YOKE	DIN 17245 GS-C25
14	NIPPLE	COPPER ALLOY
15	STEM NUT	ASTM A439 D2
16	RETAINING NUT	AISI 1025
17	HANDWHEEL	DUCTILE IRON
18	LOCK NUT	AISI 1025
19	NUT	ASTM A194 2H
20	BOLT	ASTM A193 B7
21	STEM NUT	COPPER ALLOY
22	GEAR BOX	COMPONENTS



Gear is used for
 Customer's Requirement



Dimensions (mm):

SIZE		d	D	B	C	W	L	H	T	f	N	M
DN	NPS											
200	8	200	430	360	285	400	550	1015	60	3	12	36
250	10	250	505	430	345	450	650	1220	68	3	12	39
300	12	300	585	500	410	500	750	1440	78	4	16	42