

GATE VALVE

Cast Steel OS&Y to ANSI
CLASS 150, 2"~4"

KSD-GTF CL150

» Features

- Cast steel body construction providing liberal strength to meet most conditions
- Integral yoke & bonnet; Outside screw & yoke, bolted bonnet
- Single flexible wedge disc compensates for deformation of body due to pipe stresses
- Seal welded seat ring eliminates leak path behind rings and for long trouble-free service
- Available in flanged end connection; butt weld end also available

» Standards

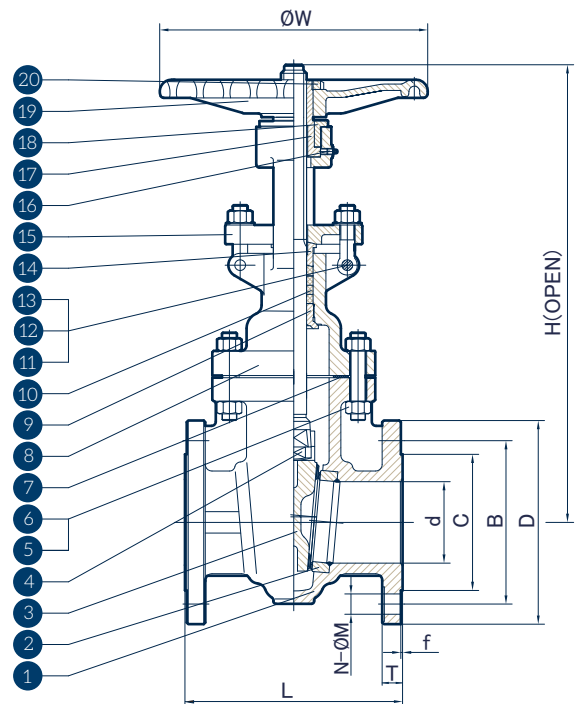
- Basic design to API 600
- Face-to-Face acc. to ASME B16.10
- Flange Dimensions acc. to ASME B16.5
- Inspection & test according to API598

» Note

For non-horizontal installation, please ensure to consult with us separately, as special request must be generated to ensure proper function.

Materials List

No.	PARTS NAME	MATERIALS
1	BODY	ASTM A216 WCB
2	SEAT RING	ASTM A105 +13Cr
3	WEDGE	ASTM A216 WCB +13Cr
4	STEM	ASTM A182 F6a
5	BONNET NUT	ASTM A194 2H
6	BONNET BOLT	ASTM A193 B7
7	GASKET	SS304+FLEXIBLE GRAPHITE
8	BONNET	ASTM A216 WCB
9	BACKSEAT BUSHING	ASTM A182 F6a
10	STEM PACKING	FLEXIBLE GRAPHITE
11	PIN	AISI 1025
12	GLAND EYEBOLT	ASTM A193 B7
13	GLAND NUT	ASTM A194 2H
14	GLAND	ASTM A182 F6a
15	GLAND FLANGE	ASTM A216 WCB
16	NIPPLE	COOPER ALLOY
17	STEM NUT	ASTM A439 D2
18	RETAINING NUT	AISI 1025
19	HANDWHEEL	DUCTILE IRON
20	LOCK NUT	AISI 1025



Dimensions (mm)

Size		d	D	B	C	W	L	H	T	f	N	M	Weight kg
DN	IN												
50	2"	51	152	120.5	92	200	178	400	16	1.6	4	19	16
65	2½"	64	178	139.5	105	220	190	435	18	1.6	4	19	20
80	3"	76	190	152.5	127	250	203	515	19	1.6	4	19	25
100	4"	102	229	190.5	157	280	229	595	24	1.6	8	19	40

GATE VALVE

Cast Steel OS&Y to ANSI
CLASS 150, 5"~8"

KSD-GTF CL150

» Features

- Cast steel body construction providing liberal strength to meet most conditions
- Integral yoke & bonnet; Outside screw & yoke, bolted bonnet
- Single flexible wedge disc compensates for deformation of body due to pipe stresses
- Seal welded seat ring eliminates leak path behind rings and for long trouble-free service
- Available in flanged end connection; butt weld end also available

» Standards

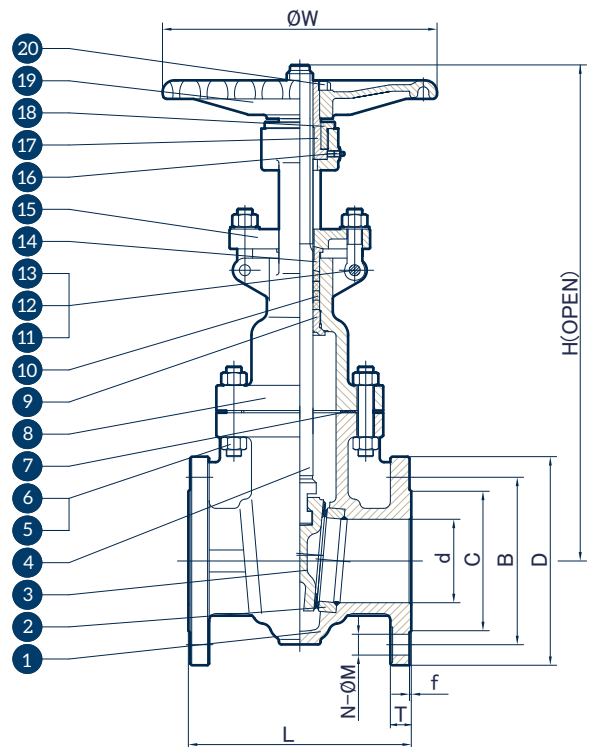
- Basic design to API 600
- Face-to-Face acc. to ASME B16.10
- Flange Dimensions acc. to ASME B16.5
- Inspection & test according to API598

» Note

For non-horizontal installation, please ensure to consult with us separately, as special request must be generated to ensure proper function.

Materials List

No.	PARTS NAME	MATERIALS
1	BODY	ASTM A216 WCB
2	SEAT RING	ASTM A105 +13Cr
3	WEDGE	ASTM A216 WCB +13Cr
4	STEM	ASTM A182 F6a
5	BONNET NUT	ASTM A194 2H
6	BONNET BOLT	ASTM A193 B7
7	GASKET	SS304+FLEXIBLE GRAPHITE
8	BONNET	ASTM A216 WCB
9	BACKSEAT BUSHING	ASTM A182 F6a
10	STEM PACKING	FLEXIBLE GRAPHITE
11	PIN	AISI 1025
12	GLAND EYEBOLT	ASTM A193 B7
13	GLAND NUT	ASTM A194 2H
14	GLAND	ASTM A182 F6a
15	GLAND FLANGE	ASTM A216 WCB
16	NIPPLE	COOPER ALLOY
17	STEM NUT	ASTM A439 D2
18	RETAINING NUT	AISI 1025
19	HANDWHEEL	DUCTILE IRON
20	LOCK NUT	AISI 1025



Dimensions (mm)

Size		d	D	B	C	W	L	H	T	f	N	M	Weight kg
DN	IN												
125	5"	127	254	216	186	280	254	710	24	1.6	8	22	50
150	6"	152	279	241.5	216	300	267	780	26	1.6	8	22	63
200	8"	203	343	298.5	270	350	292	975	29	1.6	8	22	103

GATE VALVE

Cast Steel OS&Y to ANSI
CLASS 150, 10"~12"

KSD-GTF CL150

» Features

- Cast steel body construction providing liberal strength to meet most conditions
- Integral yoke & bonnet; Outside screw & yoke, bolted bonnet
- Single flexible wedge disc compensates for deformation of body due to pipe stresses
- Seal welded seat ring eliminates leak path behind rings and for long trouble-free service
- Available in flanged end connection; butt weld end also available

» Standards

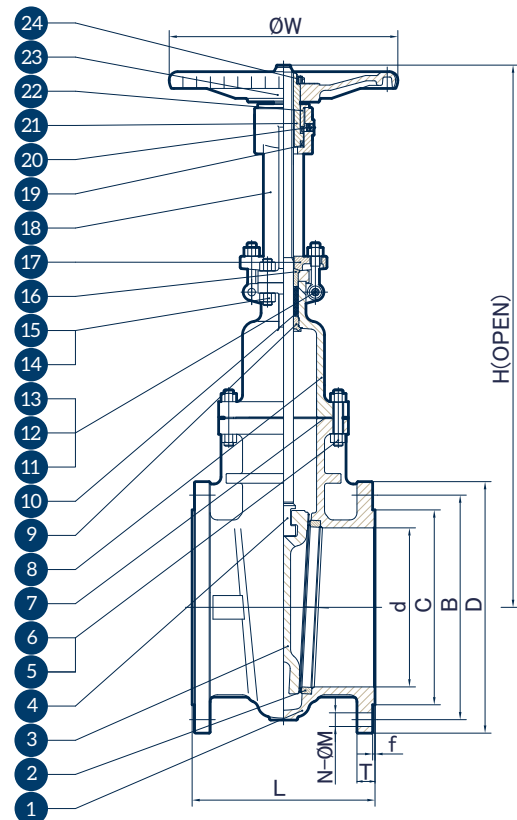
- Basic design to API 600
- Face-to-Face acc. to ASME B16.10
- Flange Dimensions acc. to ASME B16.5
- Inspection & test according to API598

» Note

- For non-horizontal installation, please ensure to consult with us separately, as special request must be generated to ensure proper function.

Materials List

No.	PARTS NAME	MATERIALS
1	BODY	ASTM A216 WCB
2	SEAT RING	ASTM A105 +13Cr
3	WEDGE	ASTM A216 WCB +13Cr
4	STEM	ASTM A182 F6a
5	BONNET NUT	ASTM A194 2H
6	BONNET BOLT	ASTM A193 B7
7	GASKET	SS304+FLEXIBLE GRAPHITE
8	BONNET	ASTM A216 WCB
9	BACKSEAT BUSHING	ASTM A182 F6a
10	STEM PACKING	FLEXIBLE GRAPHITE
11	PIN	AISI 1025
12	GLAND EYEBOLT	ASTM A193 B7
13	GLAND NUT	ASTM A194 2H
14	YOKE BOLT	ASTM A193 B7
15	YOKE NUT	ASTM A194 2H
16	GLAND	ASTM A182 F6a
17	GLAND FLANGE	ASTM A216 WCB
18	YOKE	ASTM A216 WCB
19	BEARING	ALLOY STEEL
20	NIPPLE	COOPER ALLOY
21	STEM NUT	ASTM A439 D2
22	RETAINING NUT	AISI 1025
23	HANDWHEEL	DUCTILE IRON
24	LOCK NUT	AISI 1025



Dimensions (mm)

Size		d	D	B	C	W	L	H	T	f	N	M	Weight kg
DN	IN												
250	10"	254	406	362	324	400	330	1150	31	1.6	12	25	160
300	12"	305	483	432	381	450	356	1380	32	1.6	12	25	244

GATE VALVE

Cast Steel OS&Y to ANSI
 CLASS 150, 14"~24"

KSD-GTF CL150

» Features

Cast steel body construction providing liberal strength to meet most conditions
 Integral yoke & bonnet; Outside screw & yoke, bolted bonnet
 Single flexible wedge disc compensates for deformation of body due to pipe stresses
 Seal welded seat ring eliminates leak path behind rings and for long trouble-free service
 Available in flanged end connection; butt weld end also available

» Standards

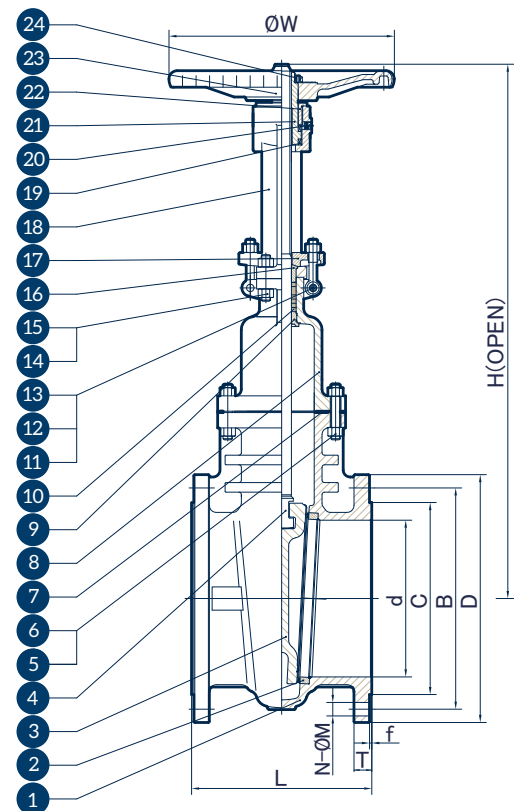
Basic design to API 600
 Face-to-Face acc. to ASME B16.10
 Flange Dimensions acc. to ASME B16.5
 Inspection & test according to API598

» Note

For non-horizontal installation, please ensure to consult with us separately,
 as special request must be generated to ensure proper function.

Materials List

No.	PARTS NAME	MATERIALS
1	BODY	ASTM A216 WCB
2	SEAT RING	ASTM A105 +13Cr
3	WEDGE	ASTM A216 WCB +13Cr
4	STEM	ASTM A182 F6a
5	BONNET NUT	ASTM A194 2H
6	BONNET BOLT	ASTM A193 B7
7	GASKET	SS304+FLEXIBLE GRAPHITE
8	BONNET	ASTM A216 WCB
9	BACKSEAT BUSHING	ASTM A182 F6a
10	STEM PACKING	FLEXIBLE GRAPHITE
11	PIN	AISI 1025
12	GLAND EYEBOLT	ASTM A193 B7
13	GLAND NUT	ASTM A194 2H
14	YOKE BOLT	ASTM A193 B7
15	YOKE NUT	ASTM A194 2H
16	GLAND	ASTM A182 F6a
17	GLAND FLANGE	ASTM A216 WCB
18	YOKE	ASTM A216 WCB
19	BEARING	ALLOY STEEL
20	NIPPLE	COOPER ALLOY
21	STEM NUT	ASTM A439 D2
22	RETAINING NUT	AISI 1025
23	HANDWHEEL	DUCTILE IRON
24	LOCK NUT	AISI 1025



Dimensions (mm)

DN	IN	Size											Weight kg
		d	D	B	C	W	L	H	T	f	N	M	
350	14"	337	533	478	413	500	381	1545	35	1.6	12	29	354
400	16"	387	597	540	470	550	406	1733	37	1.6	16	29	446
450	18"	438	635	578	533	600	432	1915	40	1.6	16	32	650
500	20"	489	699	635	584	700	457	2120	43	1.6	20	32	800
600	24"	591	813	749.5	692	700	508	2520	48	1.6	20	35	1200

GATE VALVE

Cast Steel OS&Y to ANSI
CLASS 300, 2"~4"

KSD-GTF CL300

» Features

- Cast steel body construction providing liberal strength to meet most conditions
- Integral yoke & bonnet; Outside screw & yoke, bolted bonnet
- Single flexible wedge disc compensates for deformation of body due to pipe stresses
- Seal welded seat ring eliminates leak path behind rings and for long trouble-free service
- Available in flanged end connection; butt weld end also available

» Standards

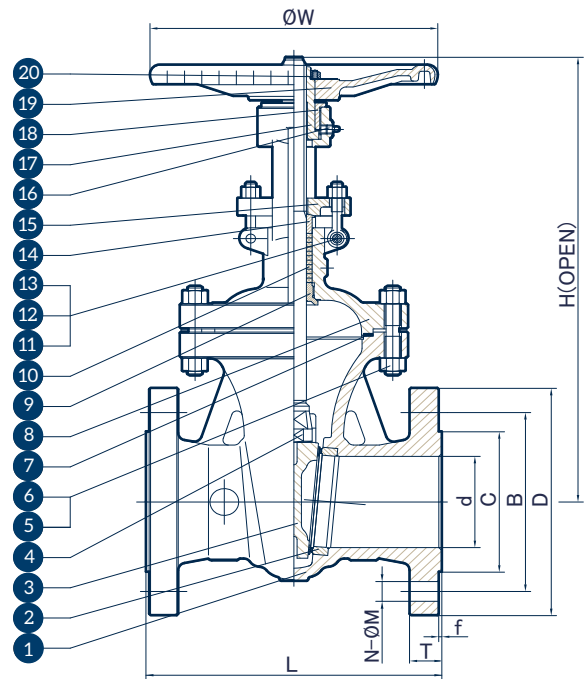
- Basic design to API 600
- Face-to-Face acc. to ASME B16.10
- Flange Dimensions acc. to ASME B16.5
- Inspection & test according to API598

» Note

For non-horizontal installation, please ensure to consult with us separately, as special request must be generated to ensure proper function.

Materials List

No.	PARTS NAME	MATERIALS
1	BODY	ASTM A216 WCB
2	SEAT RING	ASTM A105 +13Cr
3	WEDGE	ASTM A216 WCB +13Cr
4	STEM	ASTM A182 F6a
5	BONNET NUT	ASTM A194 2H
6	BONNET BOLT	ASTM A193 B7
7	GASKET	SS304+FLEXIBLE GRAPHITE
8	BONNET	ASTM A216 WCB
9	BACKSEAT BUSHING	ASTM A182 F6a
10	STEM PACKING	FLEXIBLE GRAPHITE
11	PIN	AISI 1025
12	GLAND EYEBOLT	ASTM A193 B7
13	GLAND NUT	ASTM A194 2H
14	GLAND	ASTM A182 F6a
15	GLAND FLANGE	ASTM A216 WCB
16	NIPPLE	COOPER ALLOY
17	STEM NUT	ASTM A439 D2
18	RETAINING NUT	AISI 1025
19	HANDWHEEL	DUCTILE IRON
20	LOCK NUT	AISI 1025



Dimensions (mm)

Size		d	D	B	C	W	L	H	T	f	N	M	Weight kg
DN	IN												
50	2"	51	165	127	92	200	216	420	23	1.6	8	19	23
65	2½"	64	190	149	105	220	241	446	26	1.6	8	22	31
80	3"	76	210	168.5	127	250	283	537	29	1.6	8	22	42
100	4"	102	254	200	157	280	305	619	32	1.6	8	22	62

GATE VALVE

Cast Steel OS&Y to ANSI
CLASS 300, 6"~8"

KSD-GTF CL300

» Features

- Cast steel body construction providing liberal strength to meet most conditions
- Integral yoke & bonnet; Outside screw & yoke, bolted bonnet
- Single flexible wedge disc compensates for deformation of body due to pipe stresses
- Seal welded seat ring eliminates leak path behind rings and for long trouble-free service
- Available in flanged end connection; butt weld end also available

» Standards

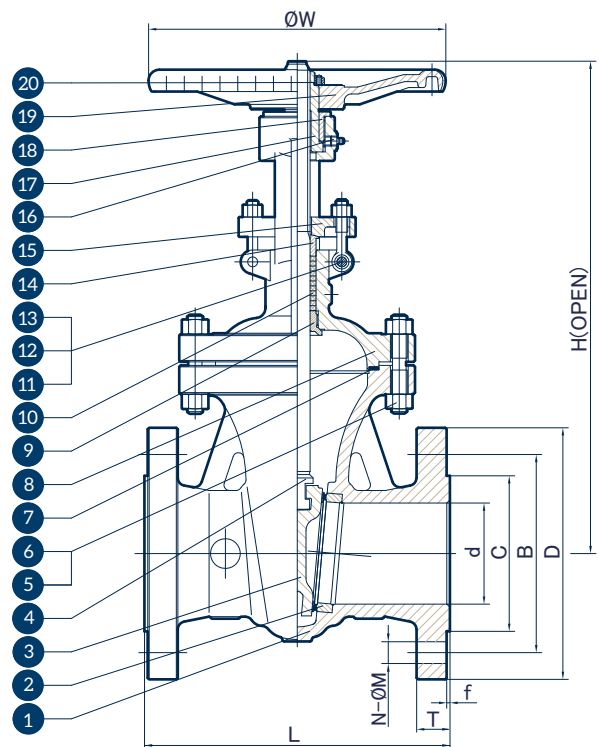
- Basic design to API 600
- Face-to-Face acc. to ASME B16.10
- Flange Dimensions acc. to ASME B16.5
- Inspection & test according to API598

» Note

For non-horizontal installation, please ensure to consult with us separately, as special request must be generated to ensure proper function.

Materials List

No.	PARTS NAME	MATERIALS
1	BODY	ASTM A216 WCB
2	SEAT RING	ASTM A105 +13Cr
3	WEDGE	ASTM A216 WCB +13Cr
4	STEM	ASTM A182 F6a
5	BONNET NUT	ASTM A194 2H
6	BONNET BOLT	ASTM A193 B7
7	GASKET	SS304+FLEXIBLE GRAPHITE
8	BONNET	ASTM A216 WCB
9	BACKSEAT BUSHING	ASTM A182 F6a
10	STEM PACKING	FLEXIBLE GRAPHITE
11	PIN	AISI 1025
12	GLAND EYEBOLT	ASTM A193 B7
13	GLAND NUT	ASTM A194 2H
14	GLAND	ASTM A182 F6a
15	GLAND FLANGE	ASTM A216 WCB
16	NIPPLE	COOPER ALLOY
17	STEM NUT	ASTM A439 D2
18	RETAINING NUT	AISI 1025
19	HANDWHEEL	DUCTILE IRON
20	LOCK NUT	AISI 1025



Dimensions (mm)

Size		d	D	B	C	W	L	H	T	f	N	M	Weight kg
DN	IN												
150	6"	152	318	270	216	350	403	806	37	1.6	12	22	117
200	8"	203	381	330	270	400	419	1000	42	1.6	12	25	187

GATE VALVE

Cast Steel OS&Y to ANSI
CLASS 300, 10"~18"

KSD-GTF CL300

» Features

- Cast steel body construction providing liberal strength to meet most conditions
- Integral yoke & bonnet; Outside screw & yoke, bolted bonnet
- Single flexible wedge disc compensates for deformation of body due to pipe stresses
- Seal welded seat ring eliminates leak path behind rings and for long trouble-free service
- Available in flanged end connection; butt weld end also available

» Standards

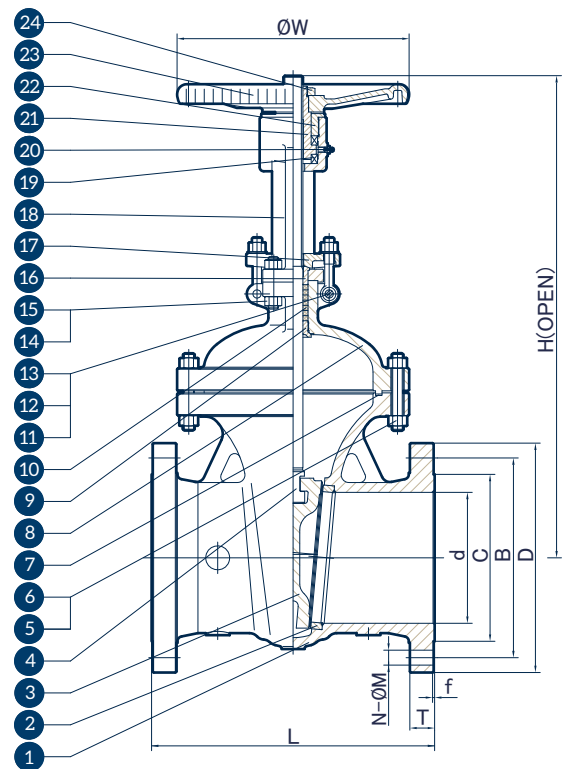
- Basic design to API 600
- Face-to-Face acc. to ASME B16.10
- Flange Dimensions acc. to ASME B16.5
- Inspection & test according to API598

» Note

For non-horizontal installation, please ensure to consult with us separately, as special request must be generated to ensure proper function.

Materials List

No.	PARTS NAME	MATERIALS
1	BODY	ASTM A216 WCB
2	SEAT RING	ASTM A105 +13Cr
3	WEDGE	ASTM A216 WCB +13Cr
4	STEM	ASTM A182 F6a
5	BONNET NUT	ASTM A194 2H
6	BONNET BOLT	ASTM A193 B7
7	GASKET	SS304+FLEXIBLE GRAPHITE
8	BONNET	ASTM A216 WCB
9	BACKSEAT BUSHING	ASTM A182 F6a
10	STEM PACKING	FLEXIBLE GRAPHITE
11	PIN	AISI 1025
12	GLAND EYEBOLT	ASTM A193 B7
13	GLAND NUT	ASTM A194 2H
14	YOKE BOLT	ASTM A193 B7
15	YOKE NUT	ASTM A194 2H
16	GLAND	ASTM A182 F6a
17	GLAND FLANGE	ASTM A216 WCB
18	YOKE	ASTM A216 WCB
19	BEARING	ALLOY STEEL
20	NIPPLE	COOPER ALLOY
21	STEM NUT	ASTM A439 D2
22	RETAINING NUT	AISI 1025
23	HANDWHEEL	DUCTILE IRON
24	LOCK NUT	AISI 1025



Dimensions (mm)

DN	IN	Size											Weight kg
		d	D	B	C	W	L	H	T	f	N	M	
250	10"	254	445	387.5	324	450	457	1240	48	1.6	16	29	277
300	12"	305	521	451	381	500	502	1425	51	1.6	16	32	443
350	14"	337	584	514.5	413	600	762	1585	54	1.6	20	32	772
400	16"	387	648	571.5	470	600	838	1790	58	1.6	20	35	920
450	18"	432	711	628.5	533	700	914	1960	61	1.6	24	35	1200

GATE VALVE

Cast Steel OS&Y to ANSI
CLASS 300, 20"

KSD-GTF CL300

» Features

- Cast steel body construction providing liberal strength to meet most conditions
- Integral yoke & bonnet; Outside screw & yoke, bolted bonnet
- Single flexible wedge disc compensates for deformation of body due to pipe stresses
- Seal welded seat ring eliminates leak path behind rings and for long trouble-free service
- Available in flanged end connection; butt weld end also available

» Standards

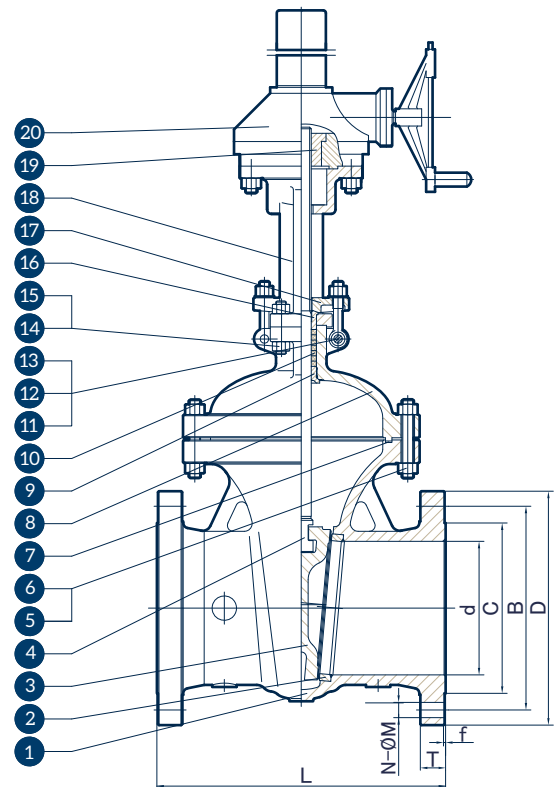
- Basic design to API 600
- Face-to-Face acc. to ASME B16.10
- Flange Dimensions acc. to ASME B16.5
- Inspection & test according to API598

» Note

For non-horizontal installation, please ensure to consult with us separately, as special request must be generated to ensure proper function.

Materials List

No.	PARTS NAME	MATERIALS
1	BODY	ASTM A216 WCB
2	SEAT RING	ASTM A105 +13Cr
3	WEDGE	ASTM A216 WCB +13Cr
4	STEM	ASTM A182 F6a
5	BONNET NUT	ASTM A194 2H
6	BONNET BOLT	ASTM A193 B7
7	GASKET	SS304+FLEXIBLE GRAPHITE
8	BONNET	ASTM A216 WCB
9	BACKSEAT BUSHING	ASTM A182 F6a
10	STEM PACKING	FLEXIBLE GRAPHITE
11	PIN	AISI 1025
12	GLAND EYEBOLT	ASTM A193 B7
13	GLAND NUT	ASTM A194 2H
14	YOKE BOLT	ASTM A193 B7
15	YOKE NUT	ASTM A194 2H
16	GLAND	ASTM A182 F6a
17	GLAND FLANGE	ASTM A216 WCB
18	YOKE	ASTM A216 WCB
19	STEM NUT	ASTM A439 D2
20	GEAR BOX	COMPONENTS



Dimensions (mm)

Size		d	D	B	C	L	T	f	N	M	Weight kg
DN	IN										
500	20"	483	775	686	584	991	64	1.6	24	35	1750

GATE VALVE

Cast Steel OS&Y to ANSI
CLASS 600, 2"~4"

KSD-GTF CL600

» Features

- Cast steel body construction providing liberal strength to meet most conditions
- Integral yoke & bonnet; Outside screw & yoke, bolted bonnet
- Single flexible wedge disc compensates for deformation of body due to pipe stresses
- Seal welded seat ring eliminates leak path behind rings and for long trouble-free service
- Available in flanged end connection; butt weld end also available

» Standards

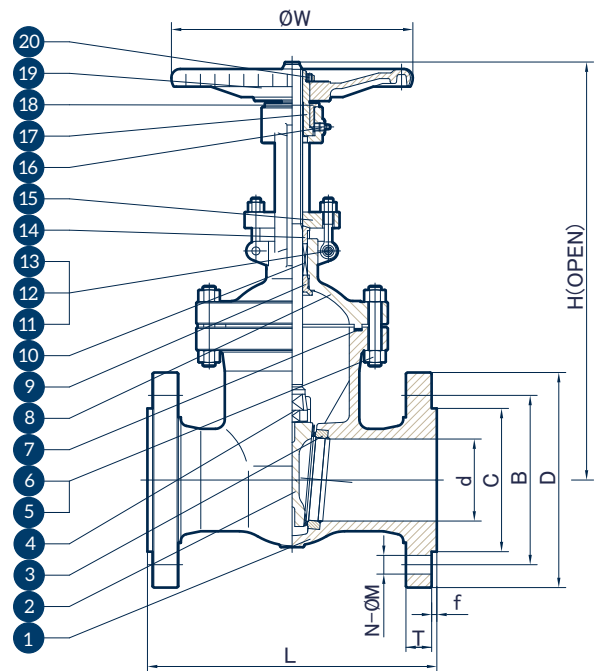
- Basic design to API 600
- Face-to-Face acc. to ASME B16.10
- Flange Dimensions acc. to ASME B16.5
- Inspection & test according to API598

» Note

For non-horizontal installation, please ensure to consult with us separately, as special request must be generated to ensure proper function.

Materials List

No.	PARTS NAME	MATERIALS
1	BODY	ASTM A216 WCB
2	SEAT RING	ASTM A105 +13Cr
3	WEDGE	ASTM A216 WCB +13Cr
4	STEM	ASTM A182 F6a
5	BONNET NUT	ASTM A194 2H
6	BONNET BOLT	ASTM A193 B7
7	GASKET	SS304+FLEXIBLE GRAPHITE
8	BONNET	ASTM A216 WCB
9	BACKSEAT BUSHING	ASTM A182 F6a
10	STEM PACKING	FLEXIBLE GRAPHITE
11	PIN	AISI 1025
12	GLAND EYEBOLT	ASTM A193 B7
13	GLAND NUT	ASTM A194 2H
14	GLAND	ASTM A182 F6a
15	GLAND FLANGE	ASTM A216 WCB
16	NIPPLE	COOPER ALLOY
17	STEM NUT	ASTM A439 D2
18	RETAINING NUT	AISI 1025
19	HANDWHEEL	DUCTILE IRON
20	LOCK NUT	AISI 1025



Dimensions (mm)

Size		d	D	B	C	W	L	H	T	f	N	M	Weight kg
DN	IN												
50	2"	51	165	127	92	200	292	445	26	6.4	8	19	29
65	2½"	64	190	149	105	250	330	500	29	6.4	8	22	44
80	3"	76	210	168	127	280	356	560	32	6.4	8	22	54
100	4"	102	273	216	157	300	432	665	38	6.4	8	25	102

GATE VALVE

Cast Steel OS&Y to ANSI
CLASS 600, 6"~12"

KSD-GTF CL600

» Features

- Cast steel body construction providing liberal strength to meet most conditions
- Integral yoke & bonnet; Outside screw & yoke, bolted bonnet
- Single flexible wedge disc compensates for deformation of body due to pipe stresses
- Seal welded seat ring eliminates leak path behind rings and for long trouble-free service
- Available in flanged end connection; butt weld end also available

» Standards

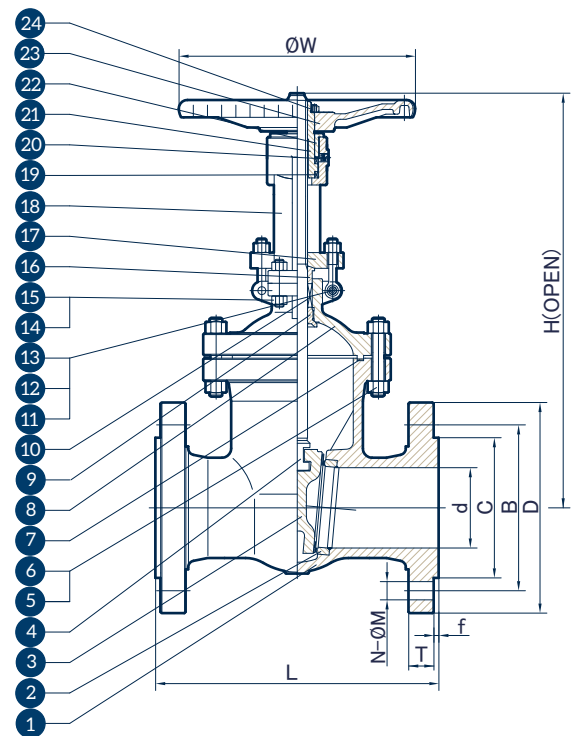
- Basic design to API 600
- Face-to-Face acc. to ASME B16.10
- Flange Dimensions acc. to ASME B16.5
- Inspection & test according to API598

» Note

For non-horizontal installation, please ensure to consult with us separately, as special request must be generated to ensure proper function.

Materials List

No.	PARTS NAME	MATERIALS
1	BODY	ASTM A216 WCB
2	SEAT RING	ASTM A105 +13Cr
3	WEDGE	ASTM A216 WCB +13Cr
4	STEM	ASTM A182 F6a
5	BONNET NUT	ASTM A194 2H
6	BONNET BOLT	ASTM A193 B7
7	GASKET	SS304+FLEXIBLE GRAPHITE
8	BONNET	ASTM A216 WCB
9	BACKSEAT BUSHING	ASTM A182 F6a
10	STEM PACKING	FLEXIBLE GRAPHITE
11	PIN	AISI 1025
12	GLAND EYEBOLT	ASTM A193 B7
13	GLAND NUT	ASTM A194 2H
14	YOKE BOLT	ASTM A193 B7
15	YOKE NUT	ASTM A194 2H
16	GLAND	ASTM A182 F6a
17	GLAND FLANGE	ASTM A216 WCB
18	YOKE	ASTM A216 WCB
19	BEARING	ALLOY STEEL
20	NIPPLE	COOPER ALLOY
21	STEM NUT	ASTM A439 D2
22	RETAINING NUT	AISI 1025
23	HANDWHEEL	DUCTILE IRON
24	LOCK NUT	AISI 1025



Dimensions (mm)

DN	IN	Size											Weight kg
		d	D	B	C	W	L	H	T	f	N	M	
150	6"	152	356	292	216	450	559	870	48	6.4	12	29	203
200	8"	200	419	349	270	500	660	1075	56	6.4	12	32	310
250	10"	248	508	432	324	600	787	1265	64	6.4	16	35	680
300	12"	298	559	489	381	700	838	1600	67	6.4	20	35	880