

BALL VALVE

Segment Ball Valve - Wafer Type
PN16, DN25~DN250

MODEL: KHD-SGW

» Features

- Suitable for use as on-off, and can be used for control
- Uni-body construction prevents external leakage
- ISO 5211 Mounting pad for easy automation
- Extremely low actuator torque
- Option available with alternate trim for use up to 350°C

» Temperature Range

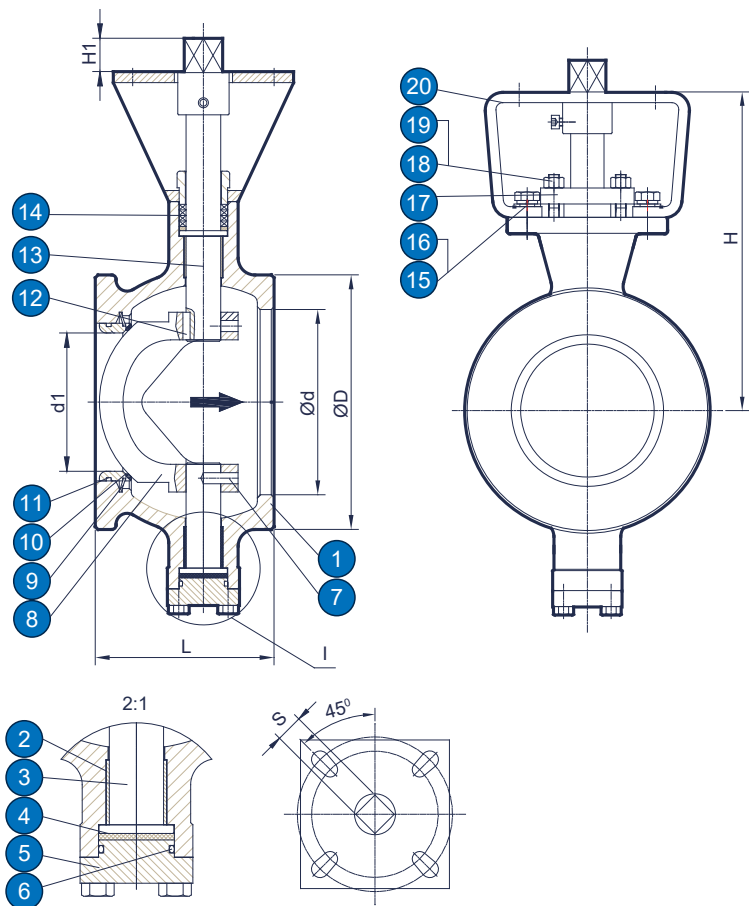
- 20°C to 220°C with Metal seat (higher temp. on request)

» Standards

- Face-to-face acc. to industry standard
- Tightness class acc. to ISO 5208 Rate D for Metal seat

Materials List:

NO	PART NAME	MATERIAL
1	BODY	CF8M
2	BUSHING	SS316+CF8M
3	SHAFT	SS316
4	GASKET	PTFE
5	COVER	CF8M
6	O-RING	FKM
7	PIN	SS316
8	BALL	CF8M+Cr
9	SPRING	17-7PH
10	SEAT	ASTM A182 F316+STL
11	O-RING	FKM
12	KEY	SS316
13	STEM	17-4PH
14	PACKING	PTFE
15	BOLT	ASTM A193 B8M
16	WASHER	SS316
17	PACKING GLAND	CF8M
18	STUD	ASTM A193 B8M
19	NUT	ASTM A194 8M
20	YOKE	ASTM A3



DN25-DN250

Dimensions (mm):

SIZE		d	d1	L	H	H1	S	D	ISO 5211
IN	DN								
1"	25	38	20	50	131	18	14	65	F05/F07
1¼"	32	45	25	60	141	18	14	78	F05/F07
1½"	40	50	32	60	138	18	14	82	F05/F07
2"	50	62	40	75	148	18	14	100	F05/F07
2½"	65	77	55	100	163	18	14	118	F05/F07
3"	80	93	65	100	205	25.5	17	135	F07/F10
4"	100	115	76	115	215	25.5	17	158	F07/F10
5"	125	134	100	129	230	25	22	184	F07/F10
6"	150	164	126	160	270	30	27	215	F10/F12
8"	200	206	158	200	302	30	27	268	F10/F12
10"	250	260	198	240	365	40	27	325	F12/F14

BALL VALVE

Segment Ball Valve - Wafer Type
CLASS 150, 1"~10"

MODEL: KHD-SGW

» Features

- Suitable for use as shut-off, can be used for control
- Uni-body construction prevents external leakage
- ISO 5211 Mounting pad for easy automation
- Extremely low actuator torque
- Option available with alternate trim for use up to 350°C

» Temperature Range

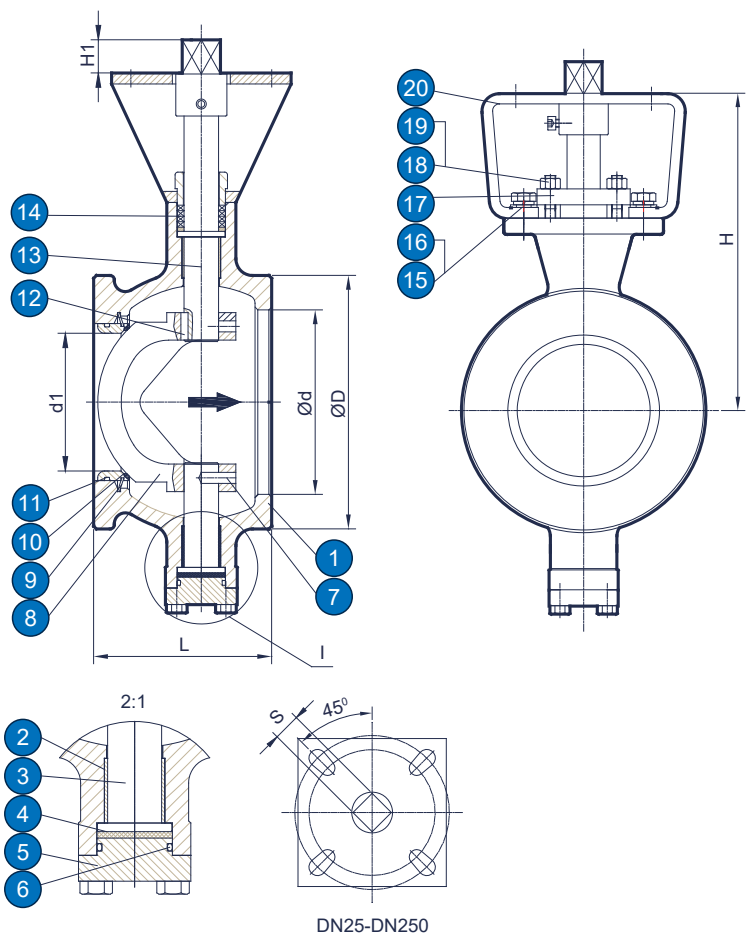
- 20°C to 220°C with Metal seat (higher temp. on request)

» Standards

- Face-to-face acc. to industry standard
- Tightness class acc. to ISO 5208 Rate D for Metal seat

Materials List:

NO	PART NAME	MATERIAL
1	BODY	CF8M
2	BUSHING	SS316+CF8M
3	SHAFT	SS316
4	GASKET	PTFE
5	COVER	CF8M
6	O-RING	FKM
7	PIN	SS316
8	BALL	CF8M+Cr
9	SPRING	17-7PH
10	SEAT	ASTM A182 F316+STL
11	O-RING	FKM
12	KEY	SS316
13	STEM	17-4PH
14	PACKING	PTFE
15	BOLT	ASTM A193 B8M
16	WASHER	SS316
17	PACKING GLAND	CF8M
18	STUD	ASTM A193 B8M
19	NUT	ASTM A194 8M
20	YOKE	ASTM A3



Dimensions (mm):

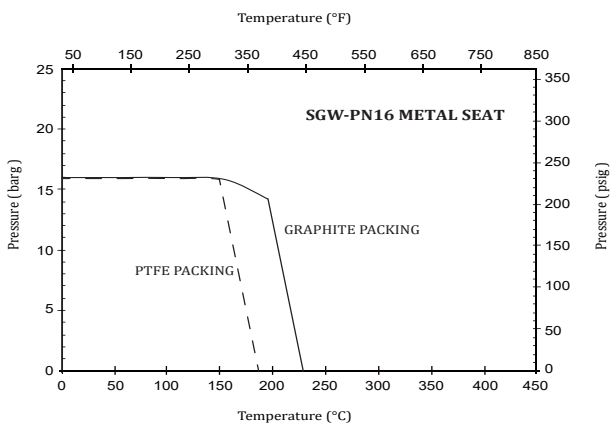
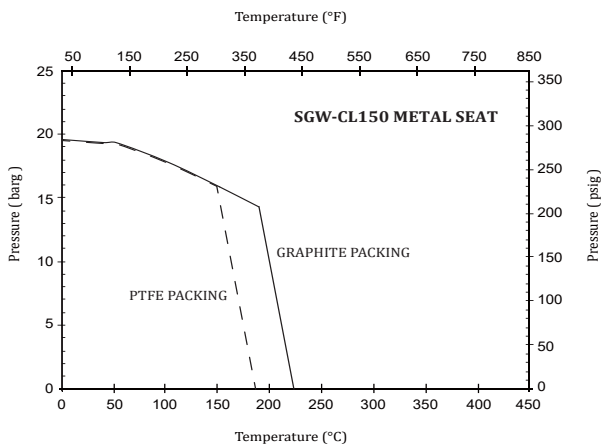
SIZE		d	d1	L	H	H1	D	ISO 5211
IN	DN							
1"	25	38	20	50	131	18	65	F05/F07
1¼"	32	45	25	60	141	18	78	F05/F07
1½"	40	50	32	60	138	18	82	F05/F07
2"	50	62	40	75	148	18	100	F05/F07
2½"	65	77	55	100	163	18	118	F05/F07
3"	80	93	65	100	205	20.5	135	F07/F10
4"	100	115	76	115	215	20.5	158	F07/F10
5"	125	134	100	129	230	25	184	F07/F10
6"	150	164	126	160	270	30	215	F10/F12
8"	200	206	158	200	302	30	268	F10/F12
10"	250	260	198	240	365	40	325	F12/F14

BALL VALVE

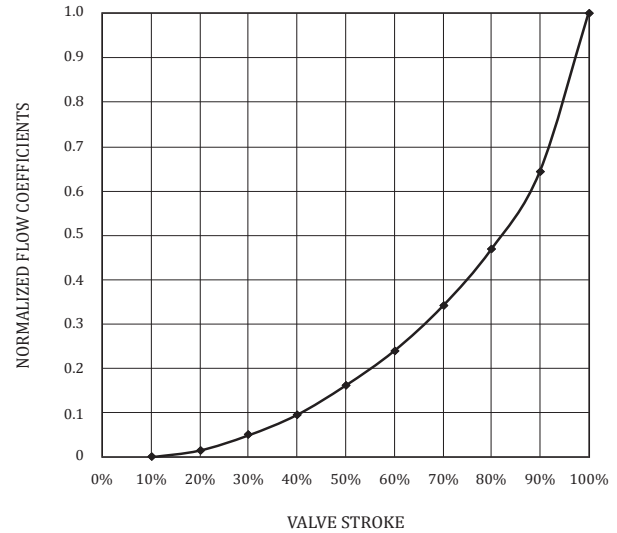
Segment Ball Valve - Wafer
DN 25 ~ DN400 (1"~16")

MODEL: KHD-SGW

» Pressure-temperature chart



» Flow coefficient



DN	NPS	Max. Kv	Max. Cv
DN25	1"	23	27
DN32	1-1/4"	40	46
DN40	1-1/2"	60	69
DN50	2"	94	109
DN65	2-1/2"	145	168
DN80	3"	240	277
DN100	4"	403	466
DN125	5"	600	694
DN150	6"	668	772
DN200	8"	1473	1703
DN250	10"	1800	2081
DN300	12"	3256	3764
DN350	14"	5515	6375
DN400	16"	7292	8430