

# BALL VALVE

Direct Mount 4-Seated 3-Way/4-Way Ball Valve  
 1000PSI, DN8~DN25, SIL 3 Capable

**MODEL: KHD-M4**

## » Features

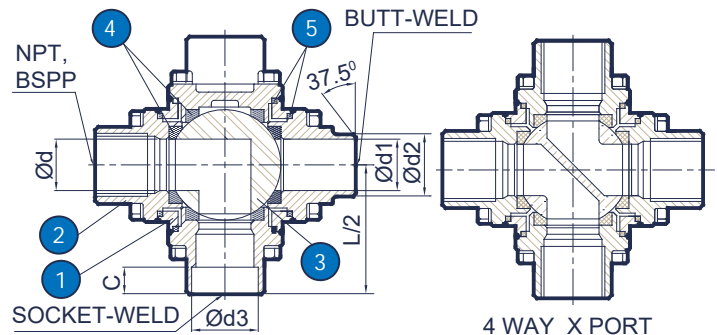
- Available in Threaded, Butt-Welding and Socket-Welding end connections
- Capable of interchange between 3-way and 4-way
- Available in T/L/X-port
- Anti blow-out proof stem
- Butt-welding end acc. to SCH40
- Available in SCH10 and SCH80
- Cavity filler available
- SIL 3 Capable

## » Standards

- ISO 5211 direct-mounting pad
- NPT threaded acc. to ASME B1.20.1
- BSPP threaded acc. to EN ISO 228-1
- BSPT threaded acc. to BS EN ISO 10226-1/ISO 7-1
- Inspection & test acc. to API 598 or EN 12266-1

## » Temperature Range

- 4°F to 350°F (-20°C to 180°C) with PTFE seats



## Materials List:

NO	PART NAME	MATERIAL
1	BODY	CF8M / WCB
2	END CAP	CF8M / WCB / CF3M
3	BALL	CF8M
4	BALL SEAT	PTFE / TFM 1600
5	BODY SEAL	PTFE / TFM 1600
6	THRUST WASHER	RPTFE
7	STEM	SS316
8	STEM PACKING	PTFE / TFM 1600
9	GLAND	SS304
10	BELLEVILLE WASHER	SS301
11	STEM NUT	SS304
12	LOCK SADDLE	SS304
13	HANDLE WASHER	SS304
14	PLATE	SS304
15	HANDLE NUT	SS304
16	HANDLE	SS304
17	HANDLE SLEEVE	VINYL
18	STOP PIN	SS304
19	STOP PIN NUT	SS304
20	O-RING	VITON
21	ANTI-STATIC DEVICE	SS316
22	BODY BOLTS	B8 / B7

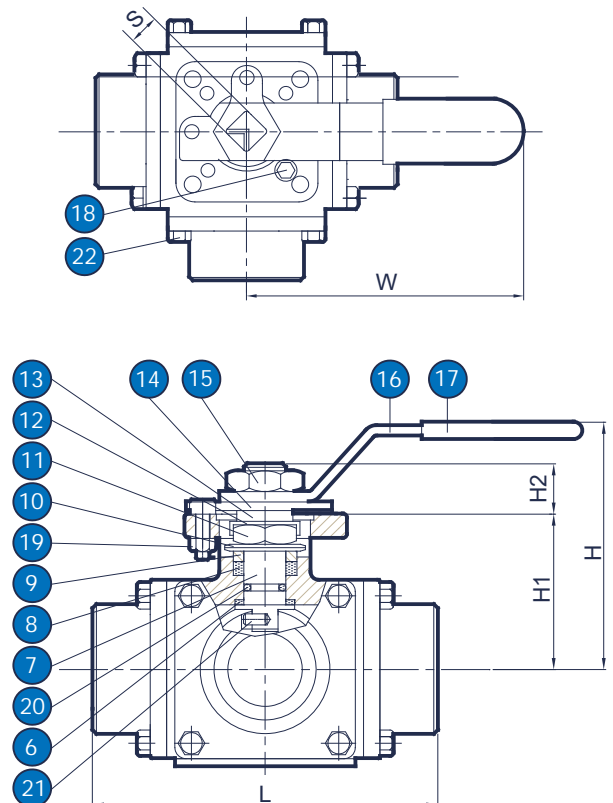
## Dimensions (mm):

SIZE		d	L	H	W	H1	H2	S	d1	d2	d3	C	ISO 5211	Torque N.m	Weight Kg
IN	DN														
1/4"	8	11	87	62	130	37.5	9.5	9	10	17.5	14.2	11.1	F03/F04	16	1.3
3/8"	10	12	87	62	130	37.5	9.5	9	13.1	20	17.5	11.1	F03/F04	16	1.3
1/2"	15	15	104	64	130	42	11	9	15.5	22.5	21.7	12.7	F03/F04	16.5	2
3/4"	20	20	111	82	165	48.5	14	11	20.6	28.5	27.1	14.3	F04/F05	20	2.6
1"	25	25	127	89	165	55.5	14	11	26.7	34.5	33.9	15.9	F04/F05	35	3.7

Note: Torque measured at ambient temperature with no loading; safety factor is not included.

KLINGER DIE ERSTE Industry Co., Ltd.

Tel +886 4 22310059 | www.klinger-dierste.com | sales@die-erste.com



# BALL VALVE

Direct Mount 4-Seated 3-Way/4-Way Ball Valve  
 800PSI, DN32~DN50, SIL 3 Capable

**MODEL: KHD-M4**

## » Features

- Available in Threaded, Butt-Welding and Socket-Welding end connections
- Capable of interchange between 3-way and 4-way
- Available in T/L/X-port ball
- Anti blow-out proof stem
- Butt-welding end acc. to SCH40
- Available in SCH10 and SCH80
- Cavity filler available
- SIL 3 Capable

## » Standards

- ISO 5211 direct-mounting pad
- NPT threaded acc. to ASME B1.20.1
- BSPP threaded acc. to EN ISO 228-1
- BSPT threaded acc. to BS EN ISO 10226-1/ISO 7-1
- Inspection & test acc. to API 598 or EN 12266-1

## » Temperature Range

- 4°F to 350°F (-20°C to 180°C) with PTFE seats

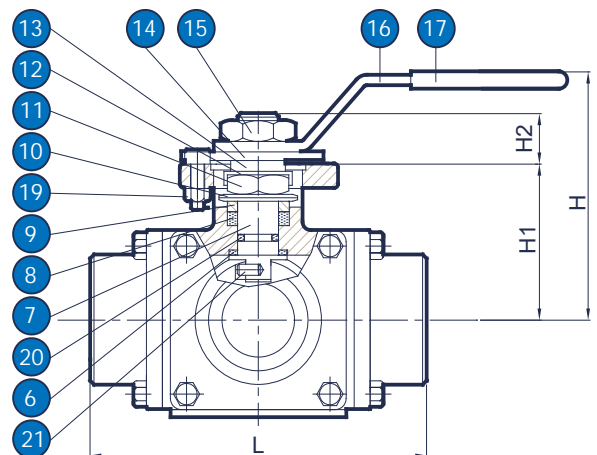
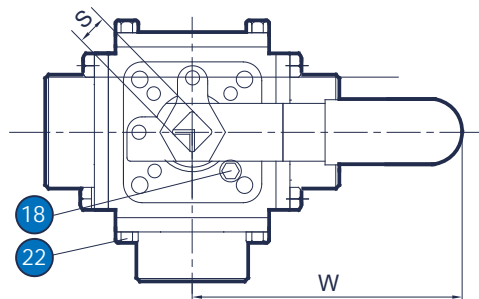
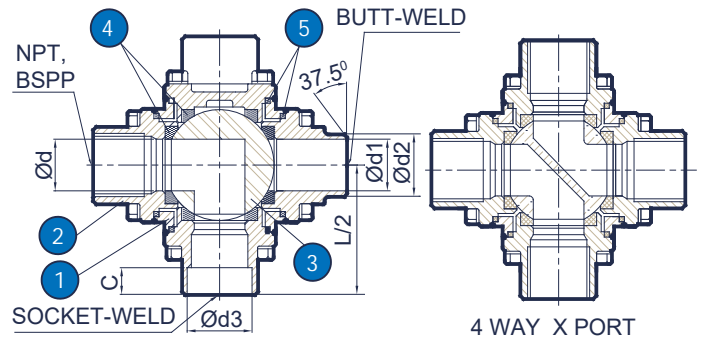
## Materials List:

NO	PART NAME	MATERIAL
1	BODY	CF8M / WCB
2	END CAP	CF8M / WCB / CF3M
3	BALL	CF8M
4	BALL SEAT	PTFE / TFM 1600
5	BODY SEAL	PTFE / TFM 1600
6	THRUST WASHER	RPTFE
7	STEM	SS316
8	STEM PACKING	PTFE / TFM 1600
9	GLAND	SS304
10	BELLEVILLE WASHER	SS301
11	STEM NUT	SS304
12	LOCK SADDLE	SS304
13	HANDLE WASHER	SS304
14	PLATE	SS304
15	HANDLE NUT	SS304
16	HANDLE	SS304
17	HANDLE SLEEVE	VINYL
18	STOP PIN	SS304
19	STOP PIN NUT	SS304
20	O-RING	VITON
21	ANTI-STATIC DEVICE	SS316
22	BODY BOLTS	B8 / B7

## Dimensions (mm):

SIZE		d	L	H	W	H1	H2	S	d1	d2	d3	C	ISO 5211	Torque N.m	Weight Kg
IN	DN														
1¼"	32	32	138	98	205	63	17	14	35.1	43.5	42.5	17.5	F05/F07	45	5.5
1½"	40	38	158	108	205	73.5	16	14	40.5	49.5	48.6	19.1	F05/F07	65	8.4
2"	50	50	190	140	325	92.5	21	17	52.4	61.5	61.1	22.2	F07/F10	100	15.4

Note: Torque measured at ambient temperature with no loading; safety factor is not included.



# BALL VALVE

Direct Mount 4-Seated 3-Way/4-Way Ball Valve  
800PSI, DN65~DN100, SIL 3 Capable

**MODEL: KHD-M4**

## » Features

- Size DN65 to DN100 (2½" ~ 4") with trunnion ball design.  
This four-seat trunnion ball design can effectively prevent leakage from the upstream port to the side port for multi-port valves
- Available in Threaded, Butt-Welding and Socket-Welding end connections
- Capable of interchange between 3-way and 4-way
- Available in T/L/X-port ball
- Anti blow-out proof stem
- Butt-welding end acc. to SCH40; SCH10 or SCH80 on request
- Cavity filler available
- SIL 3 Capable

## » Standards

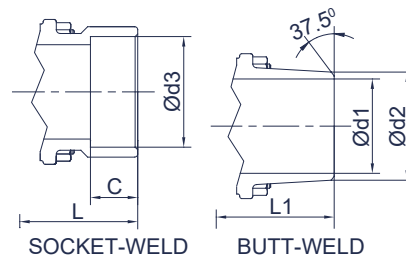
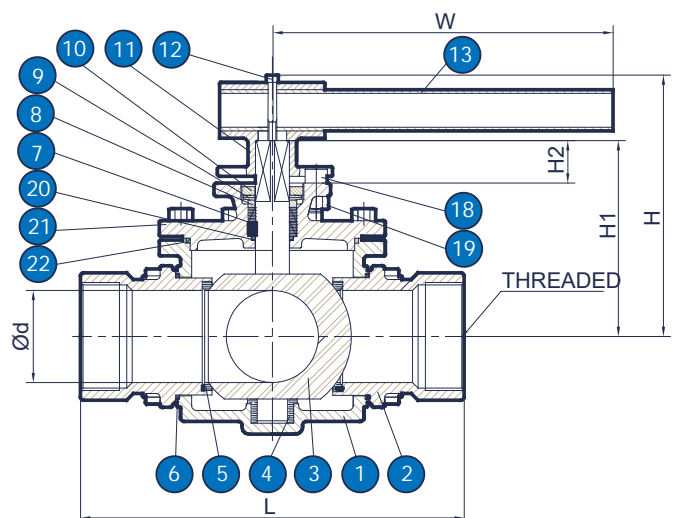
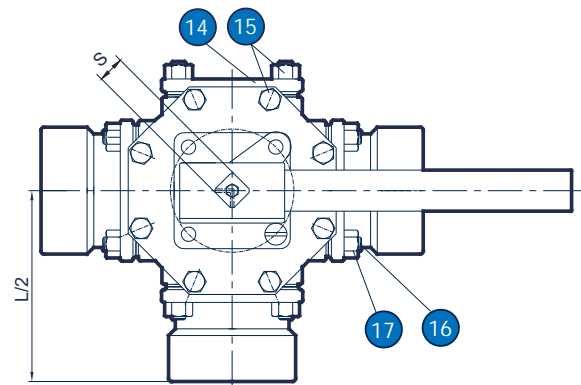
- ISO 5211 direct-mounting pad
- NPT threaded acc. to ASME B1.20.1
- BSPP threaded acc. to EN ISO 228-1
- BSPT threaded acc. to BS EN ISO 10226-1/ISO 7-1
- Inspection & test acc. to API 598 or EN 12266-1

## » Temperature Range

- 4°F to 350°F (-20°C to 180°C) with PTFE seats

## Materials List:

NO	PART NAME	MATERIAL
1	BODY	CF8M / WCB
2	END CAP	CF8M / WCB / CF3M
3	BALL & STEM	SS316 / SS304
4	HOUSING	PTFE+STAINLESS
5	BALL SEAT	PTFE / RPTFE
6	BODY SEAL	PTFE
7	STEM PACKING	PTFE
8	GLAND	SS304
9	BELLEVILLE WASHER	SS301
10	STEM BUSHING	SS304
11	HANDLE ADAPTOR	CF8
12	ADAPTOR BOLT	SS304
13	HANDLE PIPE	CARBON STEEL
14	BLANK END	CF8M / WCB
15	CONNECTION BOLTS	SS304
16	BODY BOLT	SS304
17	BODY BLOT NUT	SS304
18	STOP PIN	SS304
19	STOP PIN NUT	SS304
20	O-RING	VITON
21	BONNET	CF8M / WCB
22	BONNET GASKET	PTFE



## Dimensions (mm):

SIZE		d	L	L1	H	W	H1	H2	S	d1	d2	d3	C	ISO 5211	Torque N.m	Weight Kg
IN	DN															
2½"	65	62	294	265	200	500	119	25	22	65	78	73.9	22.2	F10	175	20.7
3"	80	76	317	290	218	600	137	25	22	80	91.5	89.9	25.4	F10	250	27.3
4"	100	96	369	345	238	750	157	25	22	100	117.5	115.2	32	F10	305	49.7

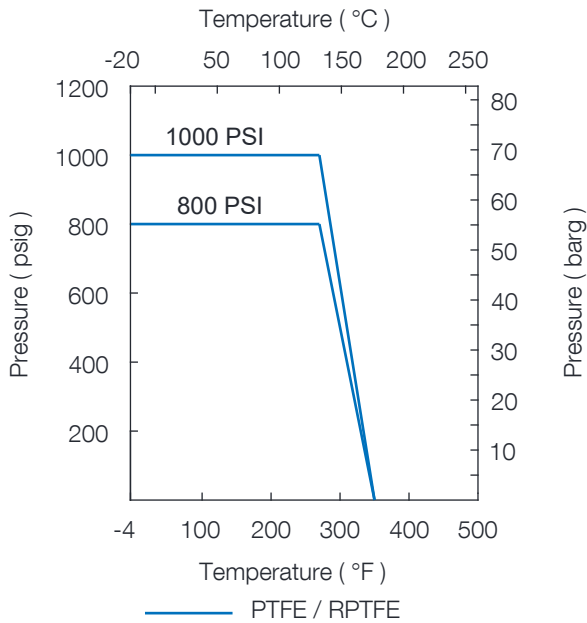
Note: Torque measured at ambient temperature with no loading; safety factor is not included.

# BALL VALVE

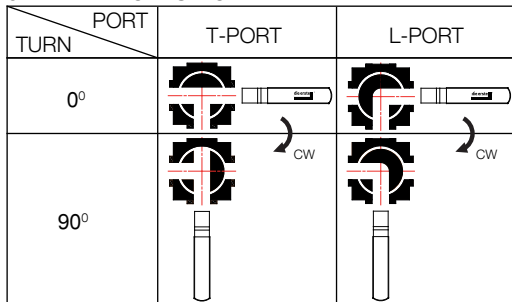
Direct Mount 4-Seated  
3-Way/4-Way Ball Valve, SIL 3 Capable

**MODEL: KHD-M4**

Valve Body Rating with Seat Material Plot:



3-WAY DEFAULT SETUP



4-WAY DEFAULT SETUP

