

BALL VALVE

1-Piece Direct Mount Threaded Ball Valve
 1000PSI, DN8~DN50

MODEL: KHD-15

» **Body Material**

ASTM CF8M

» **Size Range**

1/4" - 2" (DN8~DN50)

» **Pressure Rating**

1000PSI

» **Standards**

Female pipe thread to NPT,
 DIN259/2999, or BS standards

» **Temperature Range**

-4°F to 350°F (-20°C to 180°C) with PTFE seats

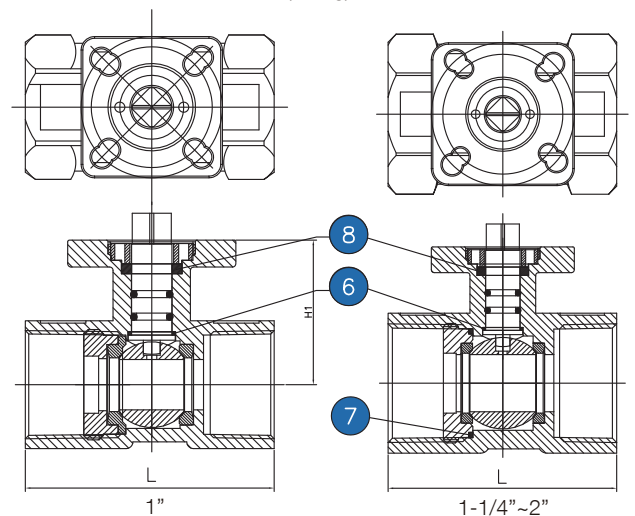
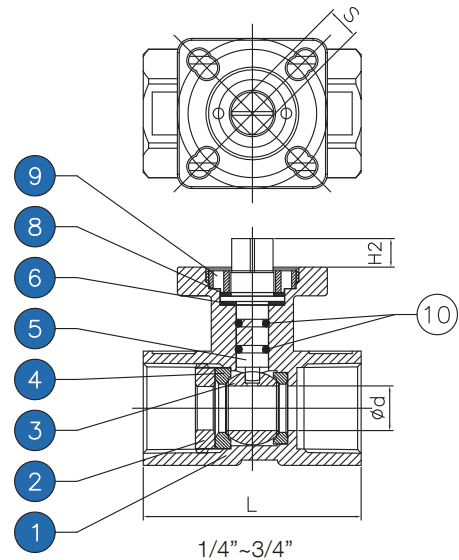
Materials List:

NO	PART NAME	MATERIAL
1	BODY	CF8M
2	CAP	SS316
3	BALL	CF8M
4	BALL SEAT	PTFE
5	STEM	SS316
6	THRUST WASHER	PTFE
7	BOSY SEAL	PTFE
8	STEM PACKING	PTFE
9	GLAND	SS316
10	O-RING	VITON

Dimensions (mm):

SIZE		d	L	H1	H2	S	ISO 5211	Torque kgf/cm
IN	DN							
1/4"	8	5	42	29	8	9	F03/F04	12
3/8"	10	7.2	46	30.5	8	9	F03/F04	12
1/2"	15	9.2	56.5	37.5	8	9	F03/F04	12
3/4"	20	12.5	61	39.5	8	9	F03/F04	15
1"	25	15	74	44	8	9	F03/F04	18
1 1/4"	32	20	80	47.7	8	9	F04/F05	30
1 1/2"	40	25	85	47.5	8	11	F04/F05	35
2"	50	32	104.5	53	8	11	F04/F05	40

Note: Torque measured at ambient temperature with no loading;
 safety factor is not included.



Valve Body Rating with Seat Material Plot:

