

BALL VALVE

1-Piece Threaded Ball Valve Reduced Port
1000PSI, DN8~DN50

MODEL: KHD-11

» **Body Material**

1.4408

» **Size Range**

1/4" - 2" (DN8~DN50)

» **Pressure Rating**

1000PSI

» **Standards**

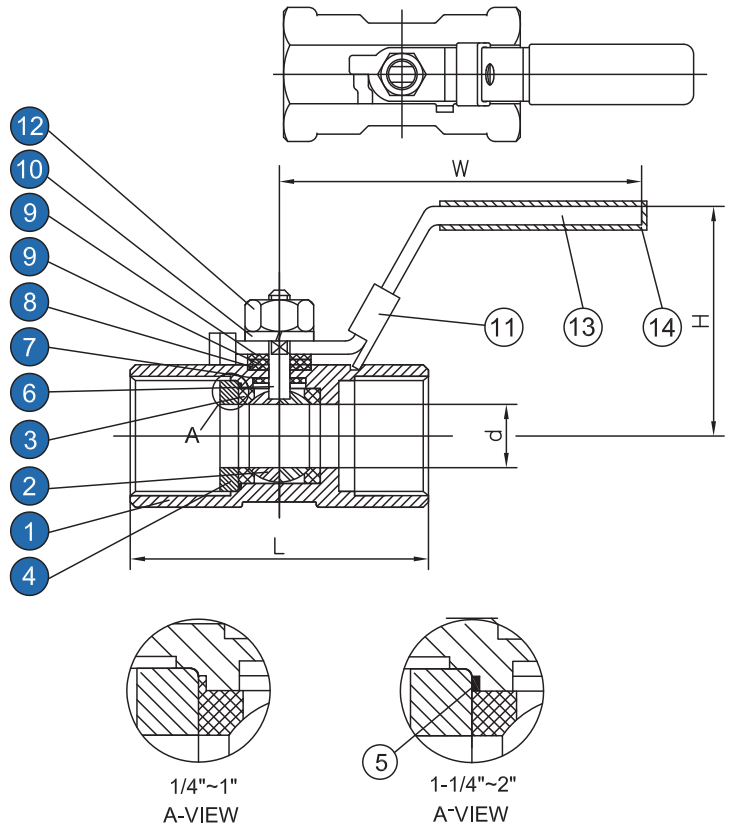
Female pipe thread to NPT,
DIN259/2999, or BS standards

» **Temperature Range**

-4°F to 350°F (-20°C to 180°C) with PTFE seats

Materials List:

NO	PART NAME	MATERIAL
1	BODY	1.4408
2	BALL	1/4"~3/4" SS316 1"~2" CF8M
3	BALL SEAT	PTFE
4	INSERT	1/4"~1/2" SS316 3/4"~2" CF8M
5	BODY SEAL	PTFE
6	STEM	SS316
7	THRUST WASHER	PTFE
8	STEM PACKING	PTFE
9	GLAND	SS304
10	HANDLE WASHER	SS304
11	LOCKING DEVICE	SS304
12	HANDLE NUT	SS304
13	HANDLE	SS304
14	HANDLE SLEEVE	PLASTIC



Dimensions (mm):

SIZE		d	L	H	W
IN	DN				
1/4"	8	5	39	35	69
3/8"	10	7.2	44	36.5	79
1/2"	15	9.2	56.5	40	109
3/4"	20	12.5	59	44.3	190
1"	25	15	71	47.5	111.7
1 1/4"	32	20	78	53	111.7
1 1/2"	40	25	83	62	157
2"	50	32	100	68.5	155.5

Valve Body Rating with Seat Material Plot:

